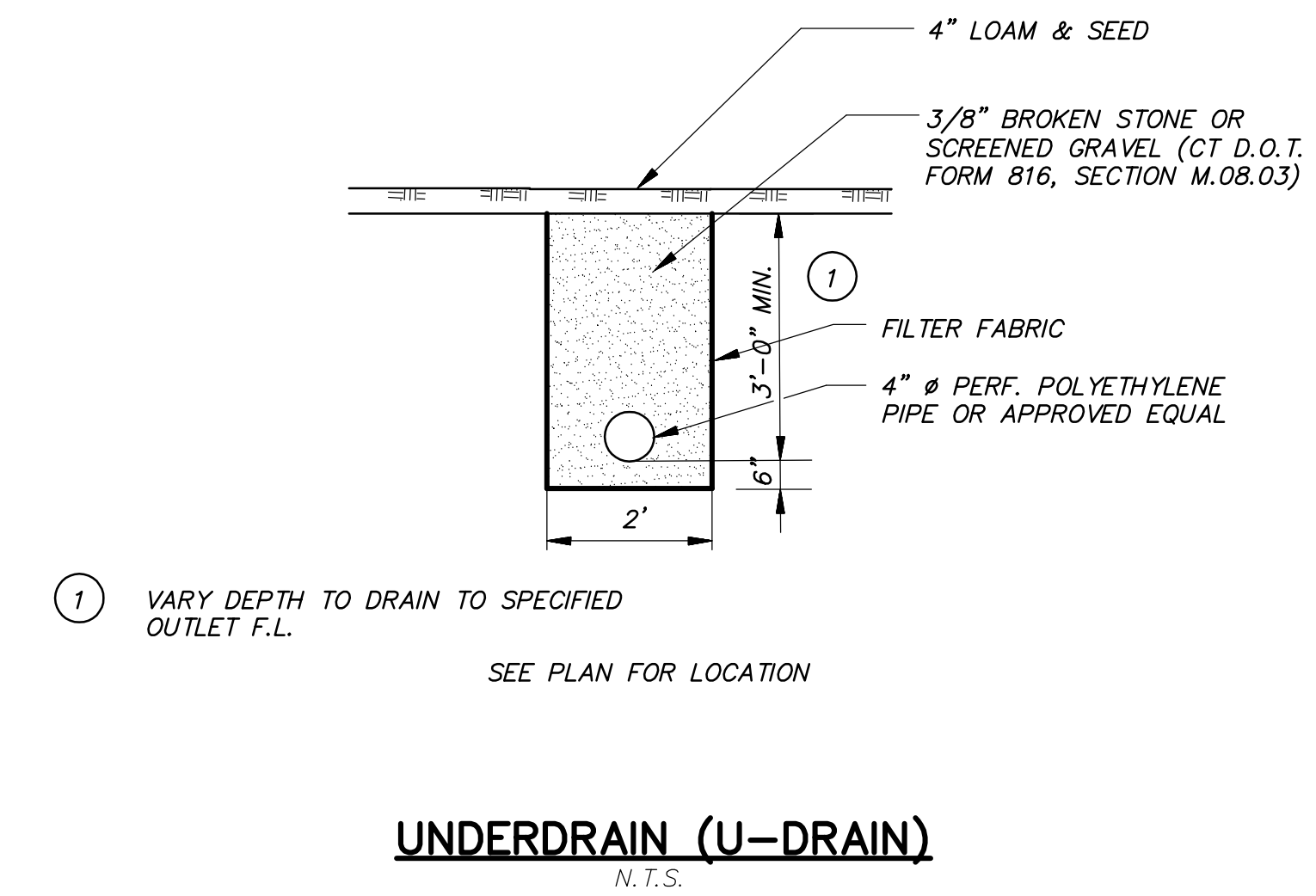


TYPE 'C' CATCH BASIN
N.T.S.



REVISIONS	
NO.	DESCRIPTION

DATE: 10/16/09
DRAWN BY: CAD
SCALE: AS NOTED
REVIEWED BY: DSZ
PROJECT NO.: 99133

DETAILS

PROJECT NUMBER 28141
ADDITIONS AND RENOVATIONS
CIGNA UNIVERSITY
1350 HALL BOULEVARD
BLOOMFIELD, CONNECTICUT

FAH
F. A. Hasketh & Associates, Inc.
6 Cheshire Road, East Granby, CT 06033
Tel: 860-359-2000 Fax: 860-359-2000
www.fahinc.com

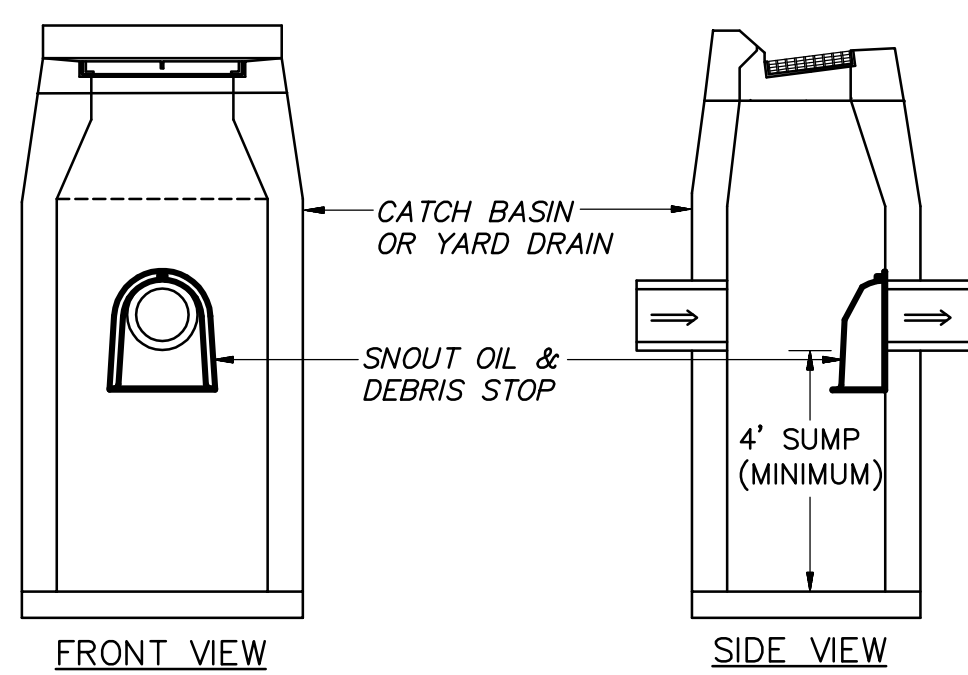
FRIAR
ASSOCIATES INC.

281 Farmington Avenue
Farmington, CT. 06032

SHEET NO.

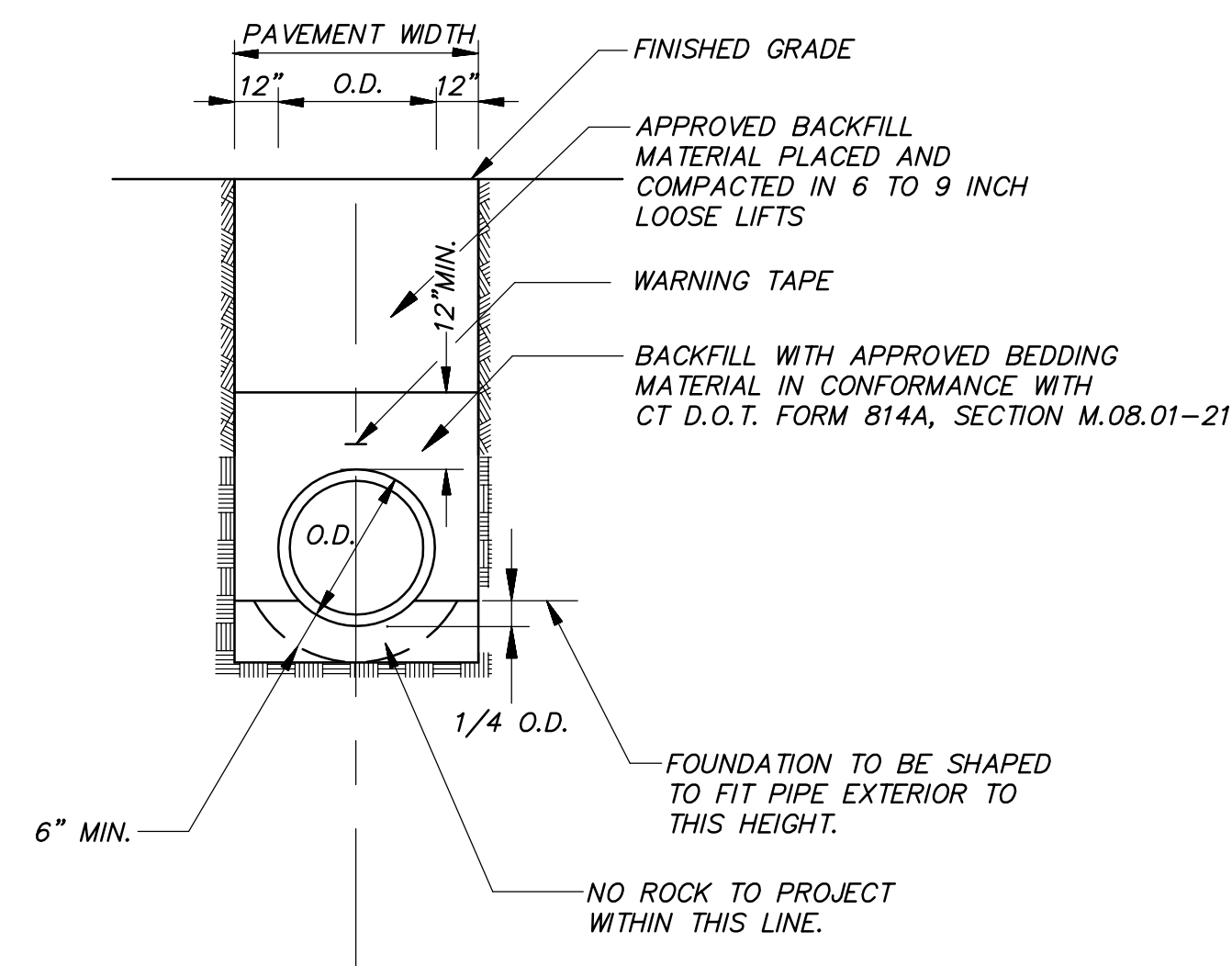
C2.2

W:\cignu\UNIVERSITY\Consolid\Lang, C2.2, Oct. 15, 2009 - 2:35:36 PM



- NOTES:
1. CAST NOTCHED SECTIONS IN CORBEL RISER TO FACILITATE INSTALLATION OF THE TRAP HOOD AGAINST A CONTINUOUS VERTICAL WALL WITHIN THE INTERIOR OF CATCHBASIN, AS REQUIRED.
 2. DETAILS DEPICT APPROXIMATE DIMENSION OF NOTCHED AREAS.
 3. CONTRACTOR TO SUBMIT DETAILED SHOP DRAWINGS OF CATCHBASINS PRIOR TO CASTING
 4. CATCHBASINS TO HAVE 4' MINIMUM SUMPS.

TRAP HOOD INSTALLATION DETAIL (TYPICAL)
N.T.S.



STORM SEWER TRENCH DETAIL
N.T.S.