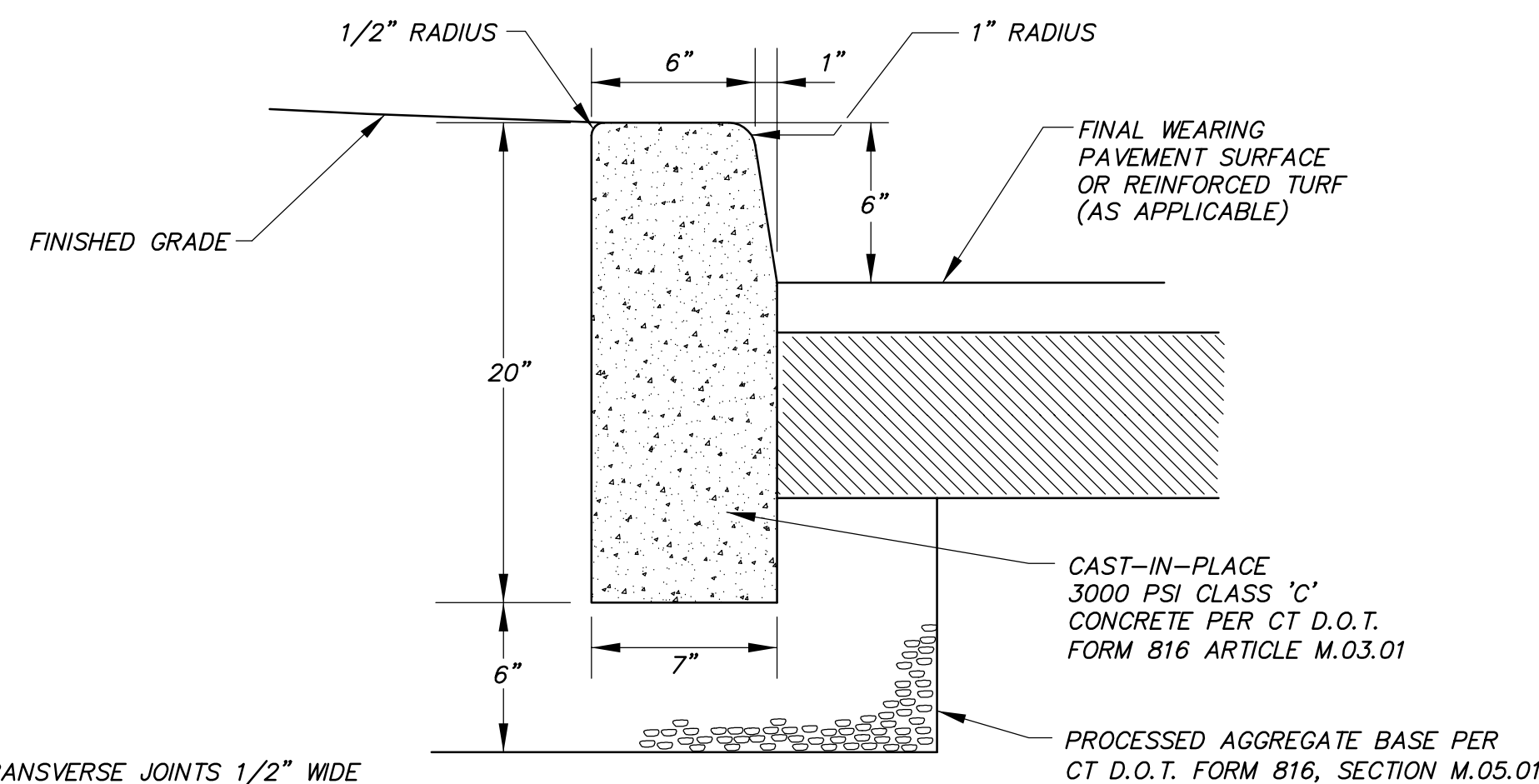


- NOTE:
- WOOD POSTS SHALL BE HARDWOOD 1 1/2" x 1 1/2" x 48" MIN. STEEL POST SHALL BE A MINIMUM OF 0.5 POUNDS PER LINEAR FOOT X 48".
 - JOINTS, WHEN REQUIRED, SHALL BE SPLICED & SECURELY SEALED TOGETHER, AT POST LOCATIONS ONLY, WITH A MINIMUM 6" OVERLAP.

SEDIMENT FENCE EROSION CONTROL (SFEC)

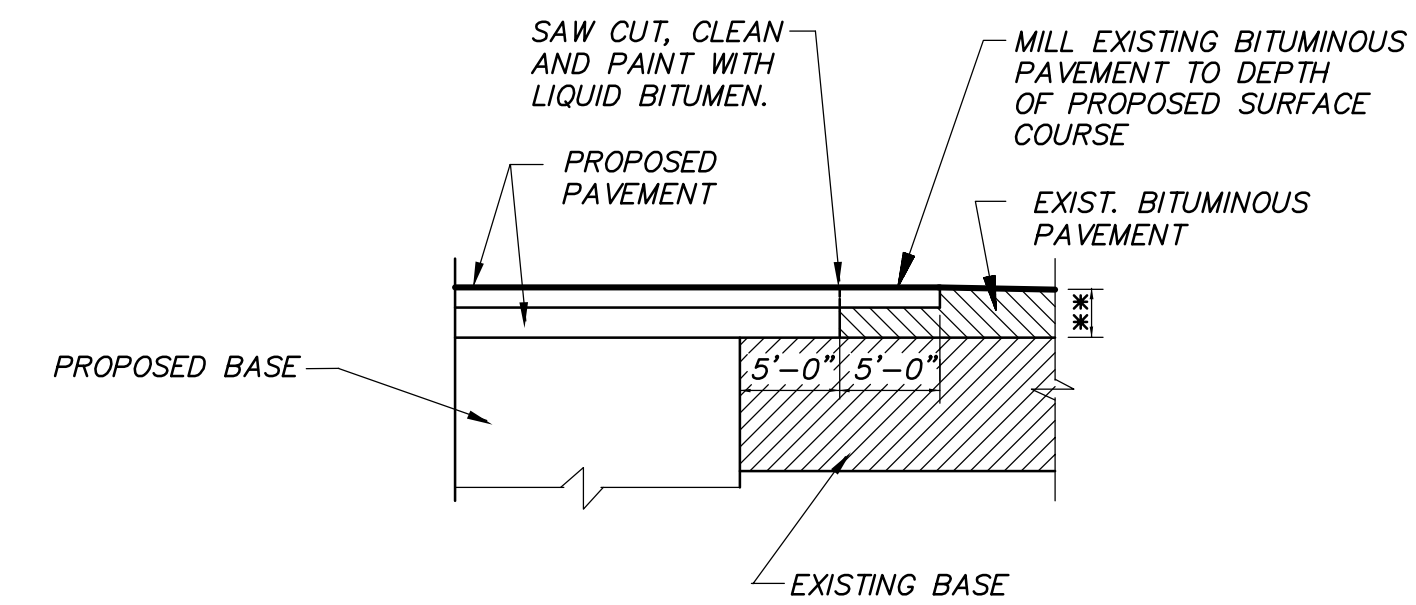
N.T.S.



- NOTE: TRANSVERSE JOINTS 1/2" WIDE SHALL BE INSTALLED IN THE CURB 20'-0" APART AND SHALL BE FILLED WITH PREFORMED BITUMINOUS IMPREGNATED FIBER JOINT FILLER.

CONCRETE CURB DETAIL

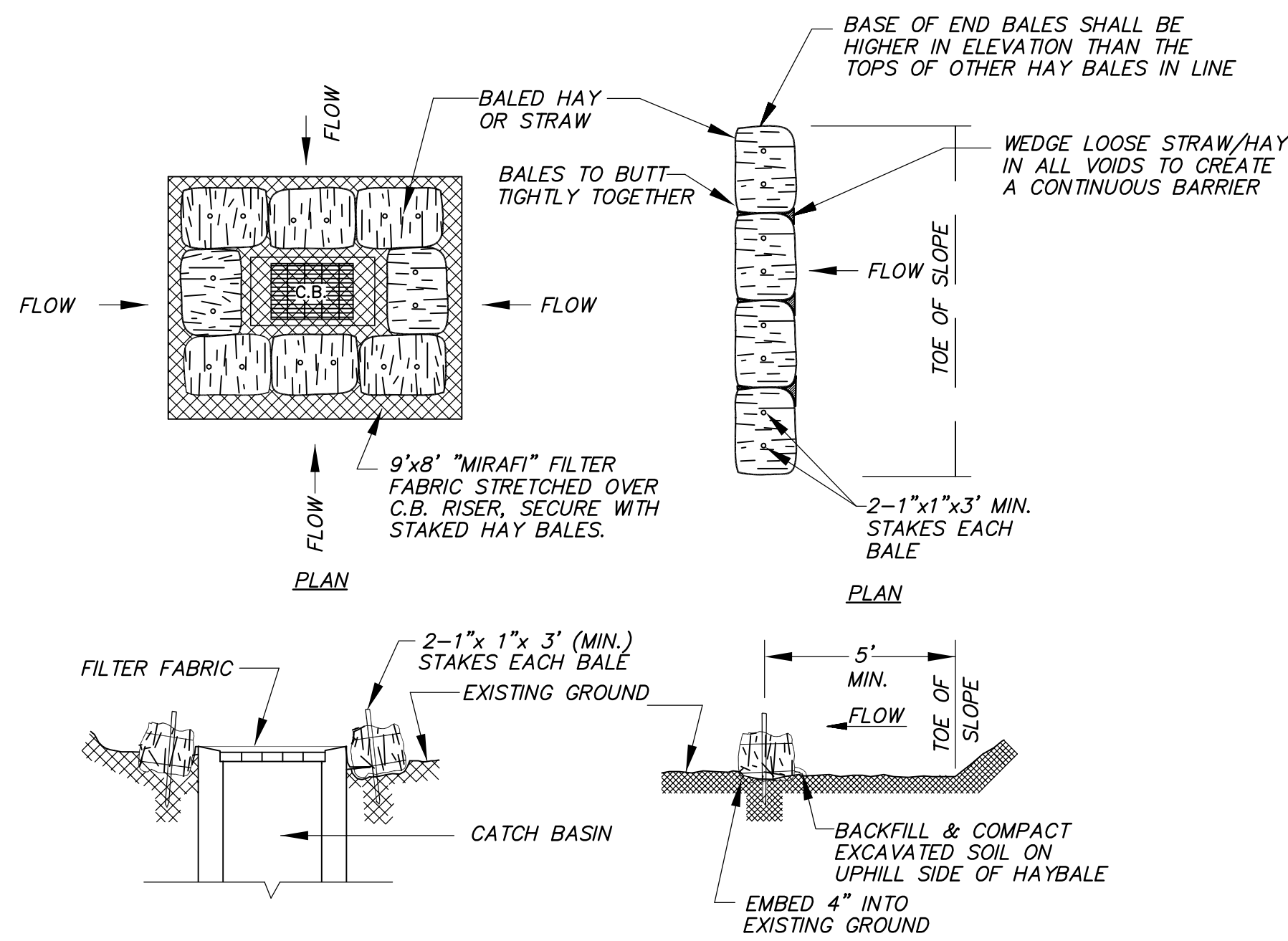
N.T.S.



- NOTES:
- OVERLAP BOTH PROPOSED BITUMINOUS CONCRETE COURSES (CLASS 1 AND CLASS 2) OVER EXISTING SUBBASE.
 - ** MINIMUM THICKNESS TO BE SAME AS PROPOSED BITUMINOUS CONCRETE OR MATCH THICKNESS OF EXISTING PAVEMENT, WHICH EVER IS GREATER.

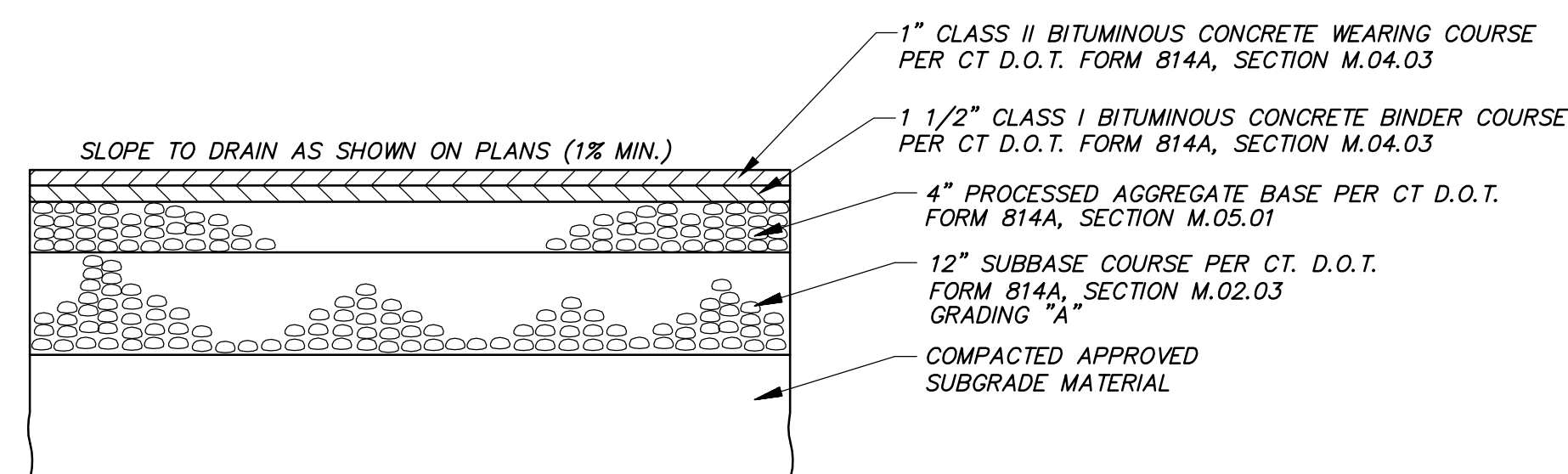
PAVEMENT MATCH TREATMENT

N.T.S.



HAYBALE EROSION CONTROL (HBEC)

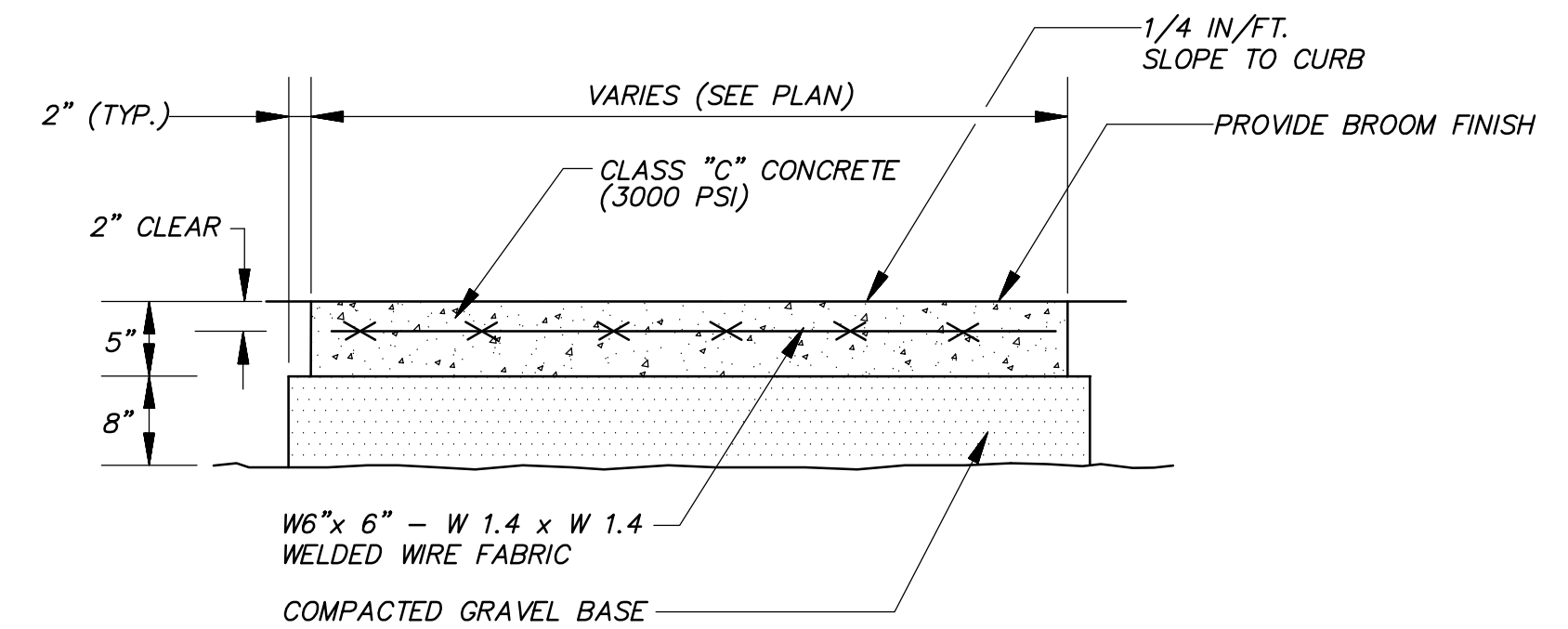
N.T.S.



- NOTE:
- PROVIDE 3/8" / FT. CROSS SLOPE IN CROWN APPLICATIONS

PAVEMENT DETAIL (LIGHT DUTY)

N.T.S.



- 3/4" EXPANSION JOINTS AT 15 FT. O.C. DUMMY JOINTS AT 5 FT. O.C. UNLESS OTHERWISE SPECIFIED

CONCRETE SIDEWALK DETAIL

N.T.S.

REVISIONS	
NO.	DATE DESCRIPTION

DATE: 10/16/09	DRAWN BY: CAD	SCALE: AS NOTED	REVIEWED BY: DSZ	PROJECT NO.: 99133
----------------	---------------	-----------------	------------------	--------------------

DETAILS

PROJECT NUMBER 28141
 ADDITIONS AND RENOVATIONS
CIGNA UNIVERSITY
 1350 HALL BOULEVARD
 BLOOMFIELD, CONNECTICUT

FAH
 F. A. Hasketh & Associates, Inc.
 6 Cherry Brook, East Granby, CT 06032
 Cell: 860-359-0000 Fax: 860-359-0000
 www.fahinc.com

FRIAR
 ASSOCIATES INC.

281 Farmington Avenue
 Farmington, CT. 06032

SHEET NO.

C21