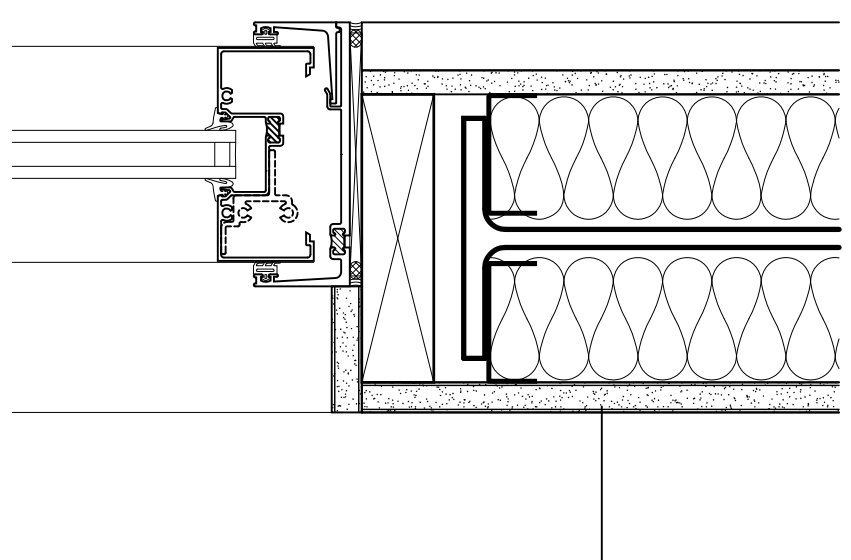
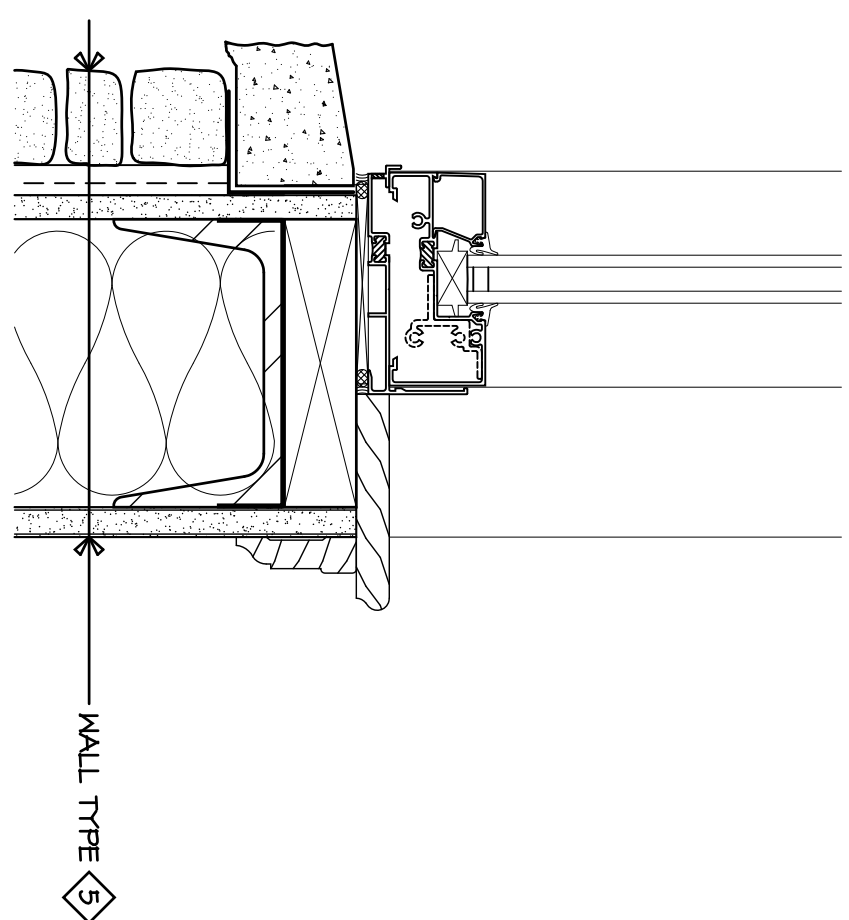


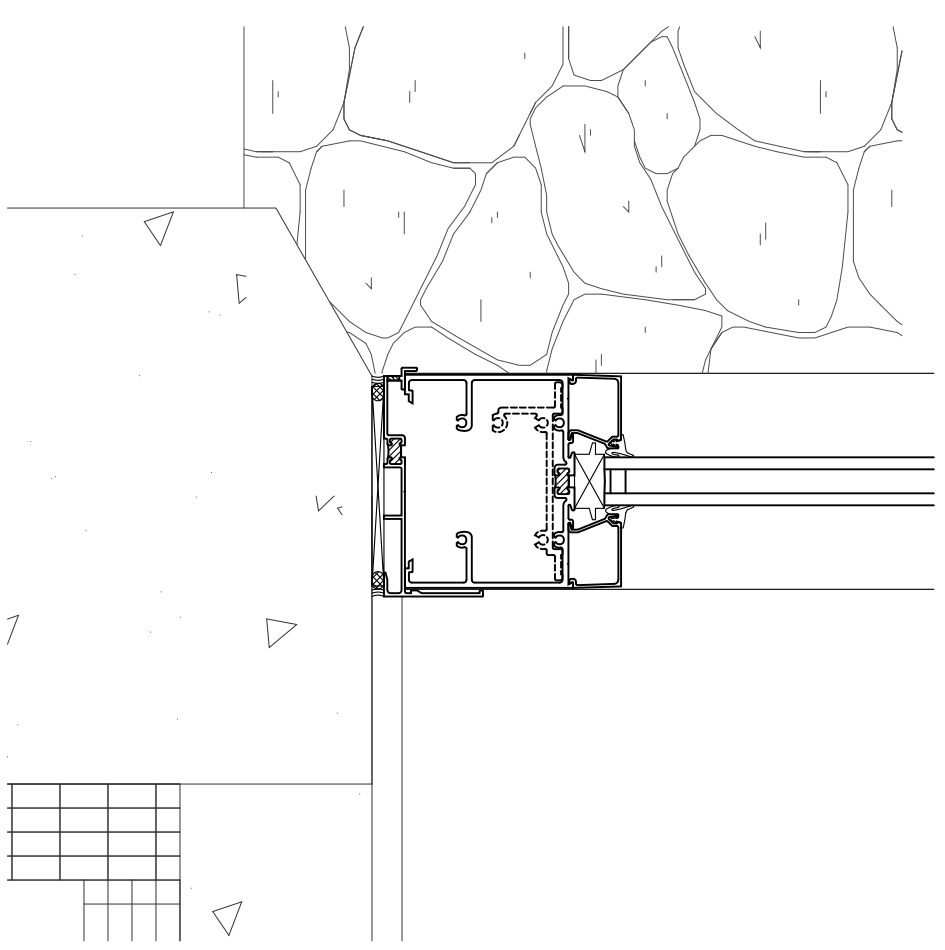
5 WINDOW JAMB  
SCALE: 3" = 1'-0"



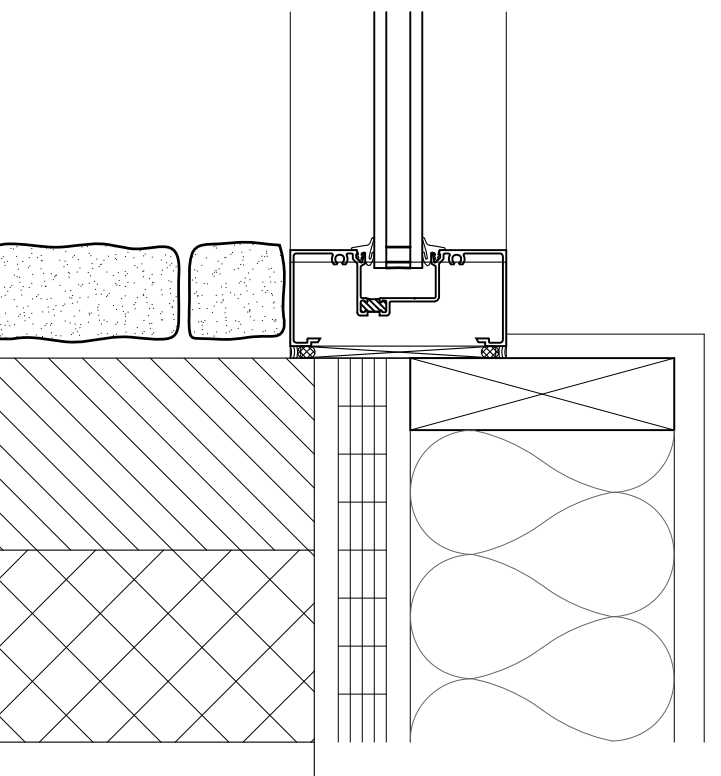
2 WINDOW HEAD  
SCALE: 3" = 1'-0"



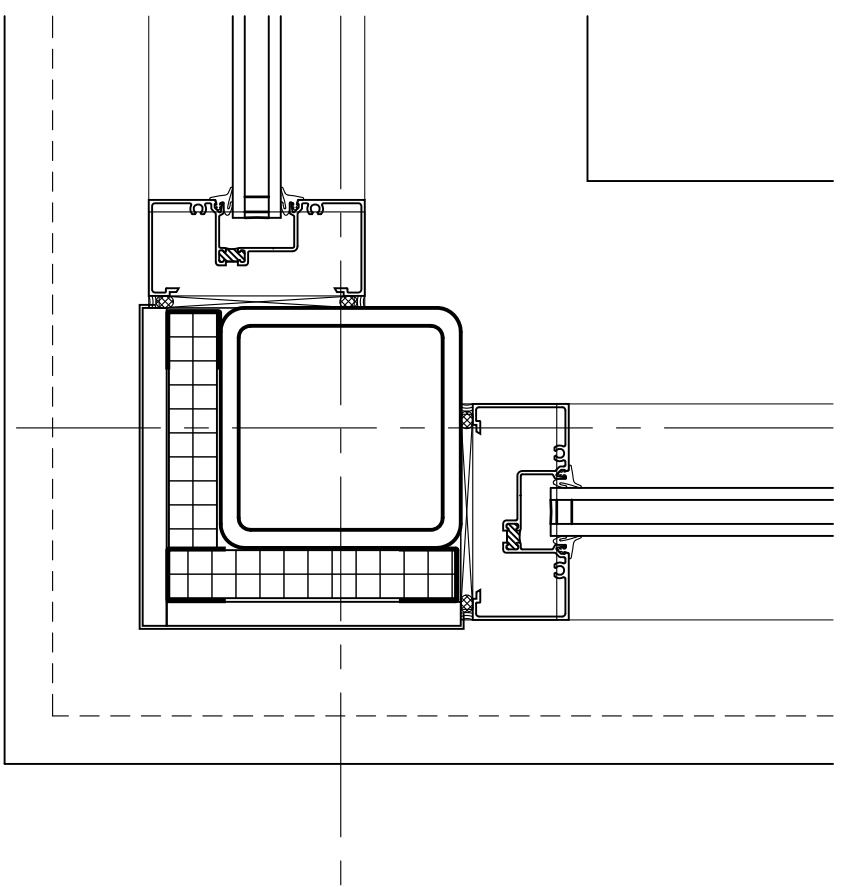
1 WINDOW SILL  
SCALE: 3" = 1'-0"



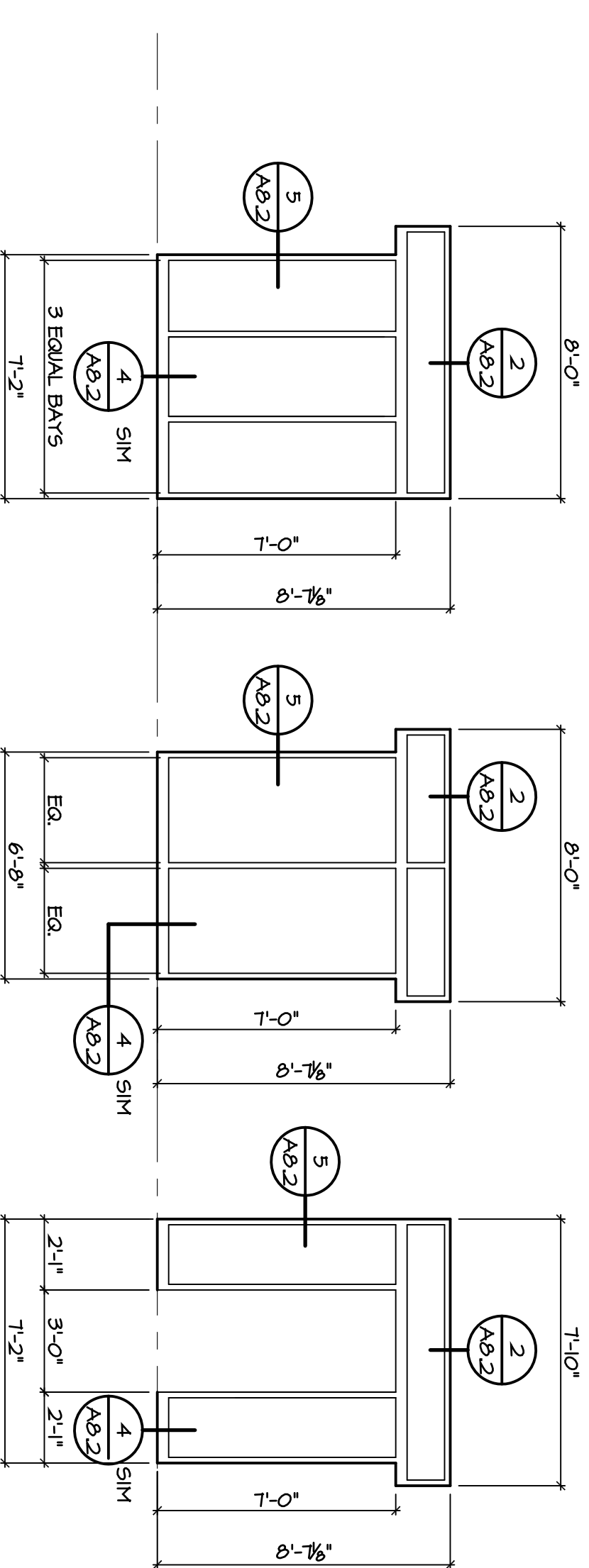
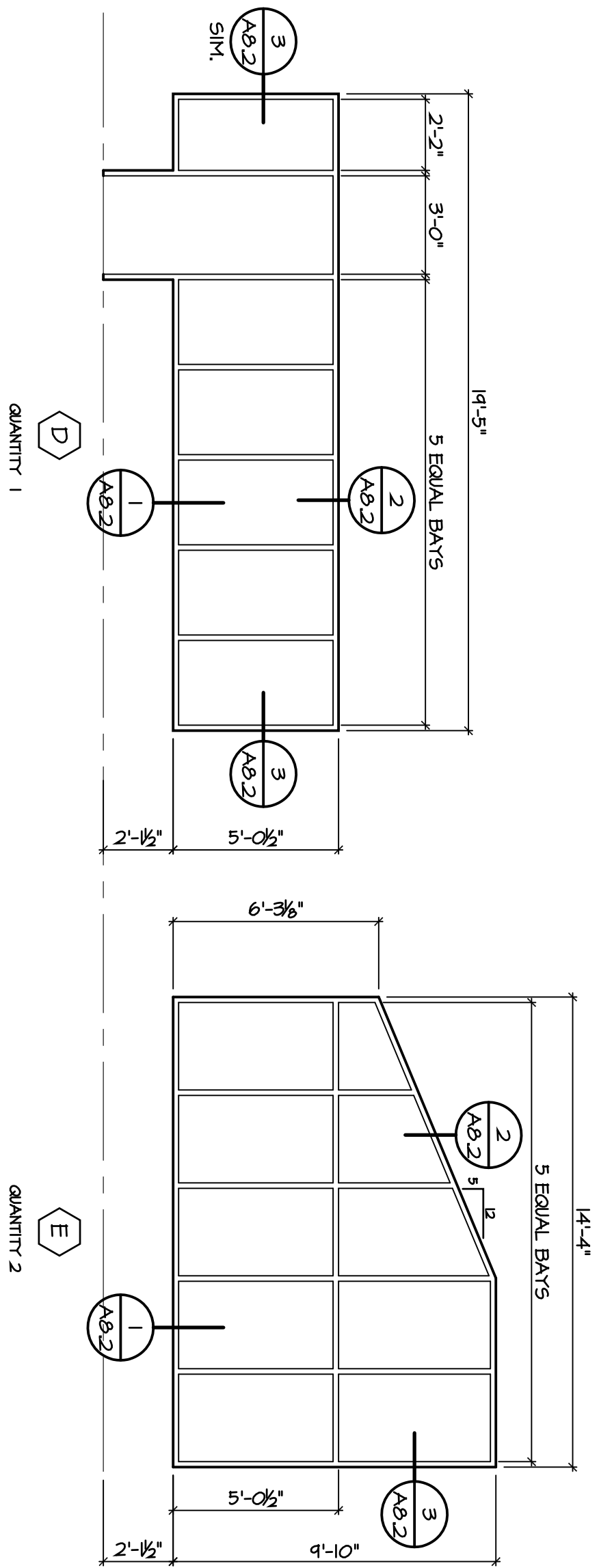
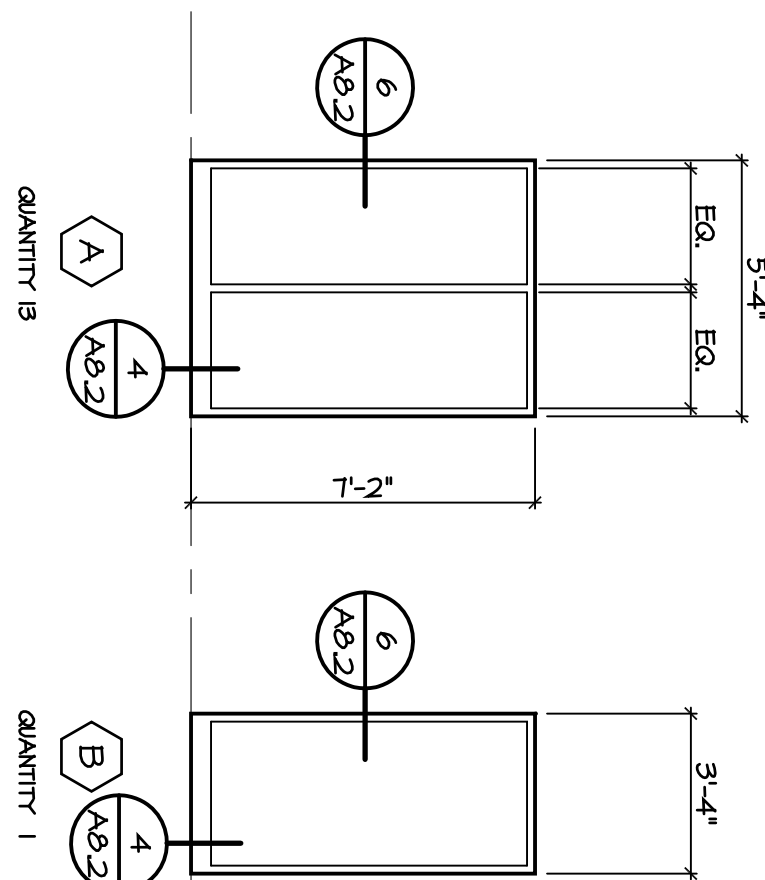
4 WINDOW SILL  
SCALE: 3" = 1'-0"



6 WINDOW JAMB  
SCALE: 3" = 1'-0"



3 WINDOW JAMB  
SCALE: 3" = 1'-0"



WINDOW ELEVATIONS  
SCALE: 1/8" = 1'-0"

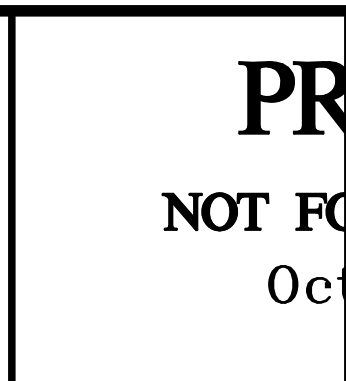
DATE:	10-16-09
DRAWN BY:	XXX
SCALE:	XXX
REVIEWED BY:	XXX
PROJECT NO.:	28141
	XXX

REVISIONS		
NO.	DATE	DESCRIPTION

# WINDOW TYPES & DETAILS

PROJECT NUMBER 28141  
 ADDITIONS AND RENOVATIONS  
**CIGNA UNIVERSITY**  
 1350 HALL BOULEVARD  
 BLOOMFIELD, CONNECTICUT

**PROGRESS**  
 NOT FOR CONSTRUCTION  
 October 16, 2009



**FRIAR ASSOCIATES INC.**  
 281 Farmington Avenue  
 Farmington, CT 06032

SHEET NO.  
**A8.2**

Printed on Recycled Paper