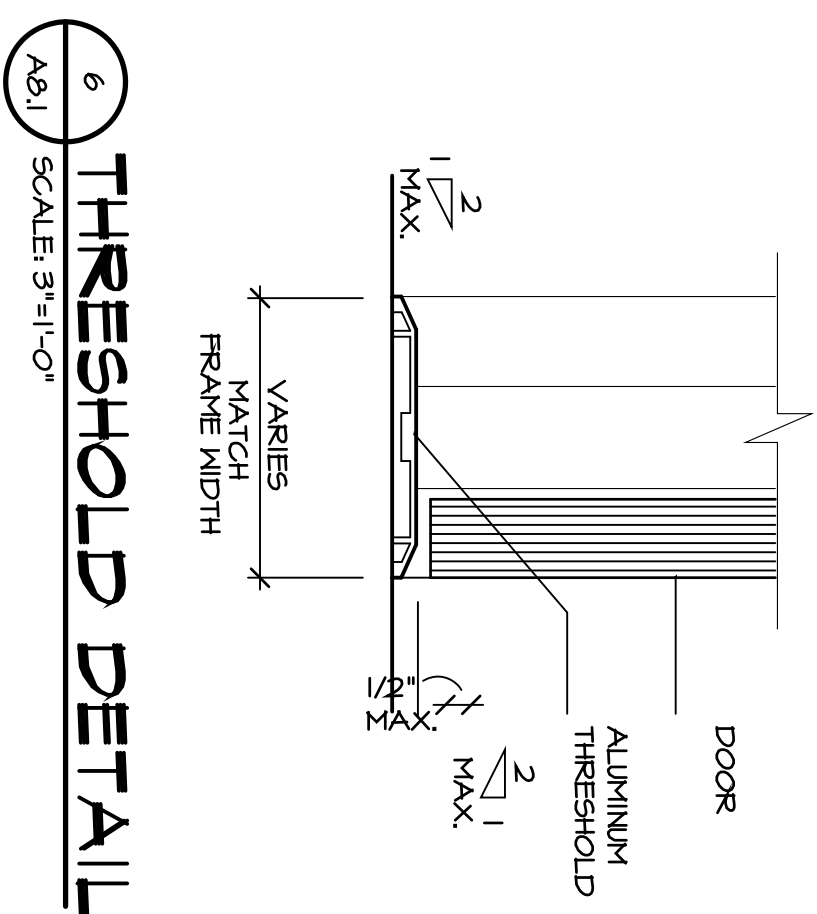


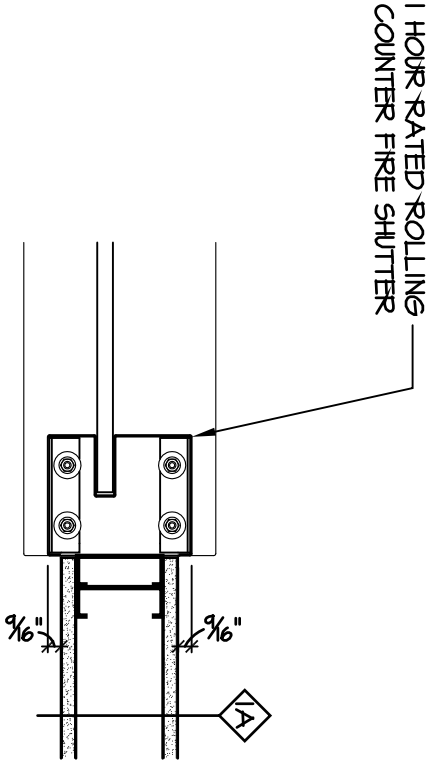
**DOOR SCHEDULE**

NO.	DESCRIPTION OF WORK	DOOR SIZE	FRAME	FIRE RATING (DOOR & FRAME)	THRESHOLD DETAIL (SEE A8.1)	HARDWARE - SEE SPECIFICATIONS		SIGNAGE TEXT	REMARKS
						FIRE CODE	ACCESSIBILITY		
100	EXISTING DOOR & FRAME TO REMAIN	3'-0"	AL	4/A&2	-				
101	DOOR & FRAME TO BE REMOVED	3'-0"	AL	AL-2	-				
102	EXISTING FRAME, NEW DOOR	3'-0"	SCM-1	HM-1	1/A&1	2/A&1			
103	NEW FRAME, REUSE DOOR	3'-0"	SCM-1	HM-1	1/A&1	2/A&1			
104	NEW DOOR & FRAME	3'-0"	HM-1	-	-	-			
105	DOUBLE DOOR	3'-0"	SCM-1	HM-1	1/A&1	2/A&1			
106		3'-0"	HM-1	-	-	-			
107		3'-0"	SCM-1	HM-1	1/A&1	2/A&1			
108		3'-0"	SCM-1	HM-1	1/A&1	2/A&1			
109		3'-0"	SCM-2	HM-1	1/A&1	2/A&1			
110		3'-0"	SCM-2	HM-1	1/A&1	2/A&1			
110A		3'-0"	SCM-2	HM-1	1/A&1	2/A&1			
111		3'-0"	SCM-2	HM-1	1/A&1	2/A&1			
112		3'-0"	SCM-2	HM-1	1/A&1	2/A&1			
113		4'-0"	-	4/A&1	5/A&1				
113A		3'-0"	SCM-1	HM-1 SINK	1/A&1	2/A&1			
113B		3'-0"	SCM-1	HM-1 SINK	1/A&1	2/A&1			
114		3'-0"	SCM-3	AL-1	-	-			
114A		3'-0"	AL	D/A&2	-	-			
115		3'-0"	SCM-3	HM-1	1/A&1	2/A&1			
116		3'-0"	SCM-1	HM-1	1/A&1	2/A&1			
117		3'-0"	SCM-1	HM-1	1/A&1	2/A&1			
118		3'-0"	SCM-1	HM-1	1/A&1	2/A&1			
119		3'-0"	SCM-1	HM-1	1/A&1	2/A&1			
120		3'-0"	AL	4/A&2	-	-			
121		3'-0"	AL	AL-2	-	-			
122		3'-0"	SCM-1	HM-1	1/A&1	2/A&1			
123		3'-0"	SCM-1	HM-1	1/A&1	2/A&1			
124		3'-0"	SCM-1	HM-1	1/A&1	2/A&1			
125		3'-0"	HM-1	-	-	-			
126		3'-0"	SCM-1	HM-1	1/A&1	2/A&1			
127		3'-0"	SCM-1	HM-1	1/A&1	2/A&1			
128		3'-0"	SCM-1	HM-1	1/A&1	2/A&1			
129		3'-0"	SCM-2	HM-1	1/A&1	2/A&1			
130		3'-0"	SCM-2	HM-1	1/A&1	2/A&1			
131		3'-0"	SCM-2	HM-1	1/A&1	2/A&1			
132		3'-0"	SCM-2	HM-1	1/A&1	2/A&1			
133		4'-0"	-	4/A&1	5/A&1				
133A		3'-0"	SCM-1	HM-1 SINK	1/A&1	2/A&1			
133B		3'-0"	SCM-1	HM-1 SINK	1/A&1	2/A&1			
134		3'-0"	SCM-3	AL-1	-	-			
134A		3'-0"	AL	D/A&2	-	-			
135		3'-0"	SCM-3	HM-1	1/A&1	2/A&1			
136		3'-0"	SCM-1	HM-1	1/A&1	2/A&1			
137		3'-0"	SCM-1	HM-1	1/A&1	2/A&1			
138		3'-0"	SCM-1	HM-1	1/A&1	2/A&1			
139		3'-0"	SCM-1	HM-1	1/A&1	2/A&1			
140		3'-0"	SCM-1	HM-1	1/A&1	2/A&1			
141		3'-0"	SCM-1	HM-1	1/A&1	2/A&1			
142		3'-0"	SCM-1	HM-1	1/A&1	2/A&1			
143		3'-0"	SCM-1	HM-1	1/A&1	2/A&1			
144		3'-0"	SCM-1	HM-1	1/A&1	2/A&1			
145		3'-0"	SCM-1	HM-1	1/A&1	2/A&1			
146		3'-0"	SCM-1	HM-1	1/A&1	2/A&1			
147		3'-0"	SCM-1	HM-1	1/A&1	2/A&1			
148		3'-0"	SCM-1	HM-1	1/A&1	2/A&1			
149		3'-0"	SCM-1	HM-1	1/A&1	2/A&1			
150		3'-0"	SCM-1	HM-1	1/A&1	2/A&1			
151		3'-0"	SCM-1	HM-1	1/A&1	2/A&1			
152		3'-0"	SCM-1	HM-1	1/A&1	2/A&1			
153		3'-0"	SCM-1	HM-1	1/A&1	2/A&1			
154		3'-0"	SCM-1	HM-1	1/A&1	2/A&1			
155		3'-0"	SCM-1	HM-1	1/A&1	2/A&1			
156		3'-0"	SCM-1	HM-1	1/A&1	2/A&1			
157		3'-0"	SCM-1	HM-1	1/A&1	2/A&1			
158		3'-0"	SCM-1	HM-1	1/A&1	2/A&1			
159		3'-0"	SCM-1	HM-1	1/A&1	2/A&1			
160		3'-0"	SCM-1	HM-1	1/A&1	2/A&1			
161		3'-0"	SCM-1	HM-1	1/A&1	2/A&1			
162		3'-0"	SCM-1	HM-1	1/A&1	2/A&1			
163		3'-0"	SCM-1	HM-1	1/A&1	2/A&1			
164		3'-0"	SCM-1	HM-1	1/A&1	2/A&1			
165		3'-0"	SCM-1	HM-1	1/A&1	2/A&1			
166		3'-0"	SCM-1	HM-1	1/A&1	2/A&1			
167		3'-0"	SCM-1	HM-1	1/A&1	2/A&1			
168		3'-0"	SCM-1	HM-1	1/A&1	2/A&1			
169		3'-0"	SCM-1	HM-1	1/A&1	2/A&1			
170		3'-0"	SCM-1	HM-1	1/A&1	2/A&1			
171		3'-0"	SCM-1	HM-1	1/A&1	2/A&1			
172		3'-0"	SCM-1	HM-1	1/A&1	2/A&1			
173		3'-0"	SCM-1	HM-1	1/A&1	2/A&1			
174		3'-0"	SCM-1	HM-1	1/A&1	2/A&1			
175		3'-0"	SCM-1	HM-1	1/A&1	2/A&1			
176		3'-0"	SCM-1	HM-1	1/A&1	2/A&1			
177		3'-0"	SCM-1	HM-1	1/A&1	2/A&1			
178		3'-0"	SCM-1	HM-1	1/A&1	2/A&1			
179		3'-0"	SCM-1	HM-1	1/A&1	2/A&1			
180		3'-0"	SCM-1	HM-1	1/A&1	2/A&1			
181		3'-0"	SCM-1	HM-1	1/A&1	2/A&1			
182		3'-0"	SCM-1	HM-1	1/A&1	2/A&1			
183		3'-0"	SCM-1	HM-1	1/A&1	2/A&1			
184		3'-0"	SCM-1	HM-1	1/A&1	2/A&1			
185		3'-0"	SCM-1	HM-1	1/A&1	2/A&1			
186		3'-0"	SCM-1	HM-1	1/A&1	2/A&1			
187		3'-0"	SCM-1	HM-1	1/A&1	2/A&1			
188		3'-0"	SCM-1	HM-1	1/A&1	2/A&1			
189		3'-0"	SCM-1	HM-1	1/A&1	2/A&1			
190		3'-0"	SCM-1	HM-1	1/A&1	2/A&1			
191		3'-0"	SCM-1	HM-1	1/A&1	2/A&1			
192		3'-0"	SCM-1	HM-1	1/A&1	2/A&1			
193		3'-0"	SCM-1	HM-1	1/A&1	2/A&1			
194		3'-0"	SCM-1	HM-1	1/A&1	2/A&1			
195		3'-0"	SCM-1	HM-1	1/A&1	2/A&1			
196		3'-0"	SCM-1	HM-1	1/A&1	2/A&1			
197		3'-0"	SCM-1	HM-1	1/A&1	2/A&1			
198		3'-0"	SCM-1	HM-1	1/A&1	2/A&1			
199		3'-0"	SCM-1	HM-1	1/A&1	2/A&1			
200		3'-0"	SCM-1	HM-1	1/A&1	2/A&1			

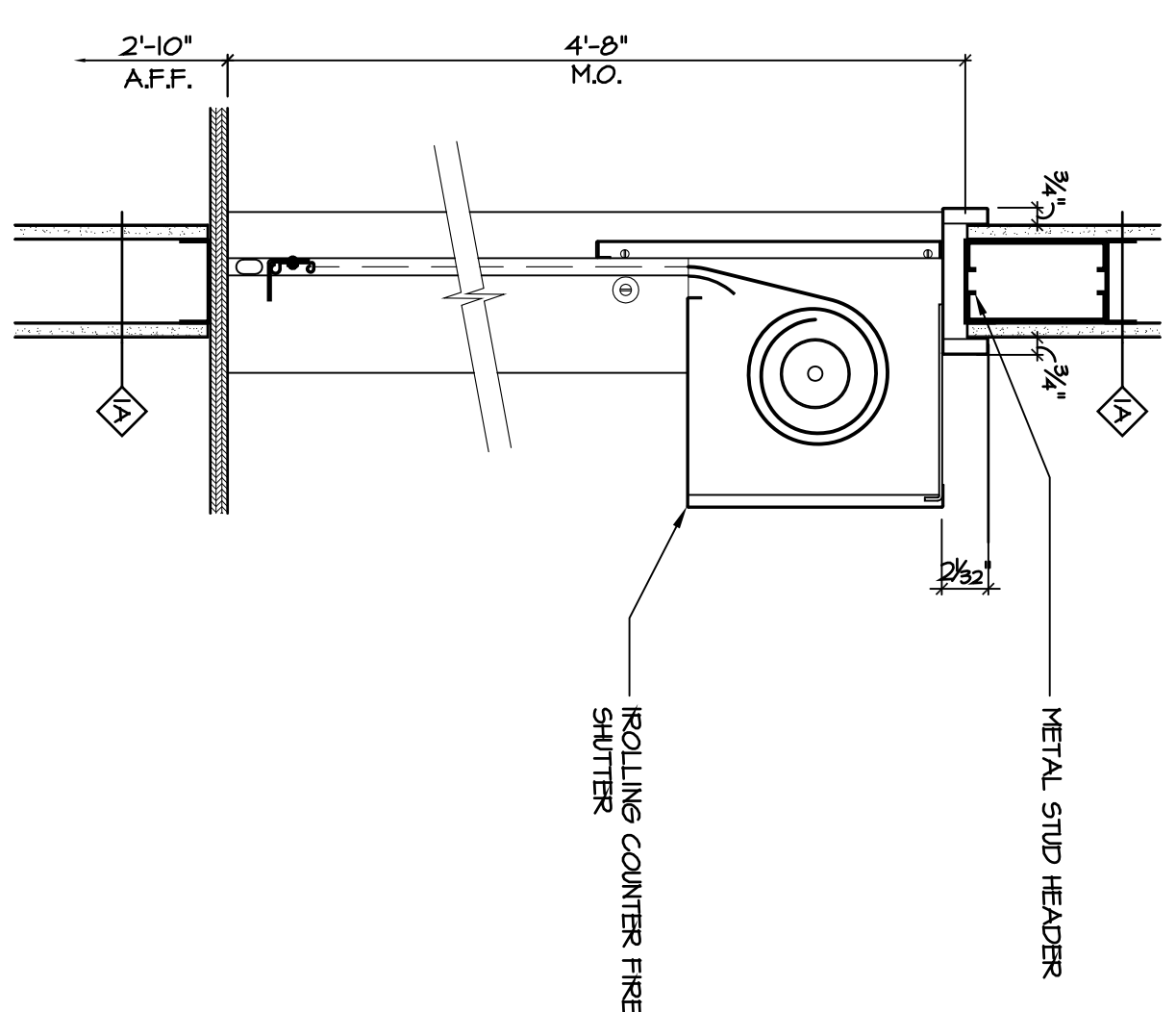
DESCRIPTION OF WORK	DOOR	FRAME	FIRE RATING (DOOR & FRAME)	THRESHOLD DETAIL (SEE A8.1)	HARDWARE - SEE SPECIFICATIONS	SIGNAGE TEXT	REMARKS
EXISTING DOOR & FRAME TO REMAIN							
DOOR & FRAME TO BE REMOVED							
EXISTING FRAME, NEW DOOR							
NEW FRAME, REUSE DOOR							
NEW DOOR & FRAME							
DOUBLE DOOR							
DOOR WIDTH							
DOOR HEIGHT							
MATERIAL/TYPE							
TYPE							
HEAD DETAIL (SEE A8.1)							
JAMB DETAIL (SEE A8.1)							
PANIC RELEASE LATCH							
AUTOMATIC HOLD/RELEASE							
SPRING HINGE							
AUTO CLOSER							
POSITIVE LATCHING HARDWARE							
DELAYED ACTION CLOSER							
LEVER HANDLES							
TACTILE WARNING							
16" HIGH KICK PLATES							
H.C. ACCESSIBLE THRESHOLD							
MOUNTING HEIGHT: 60" O.C. ABOVE FINISH FLOOR							



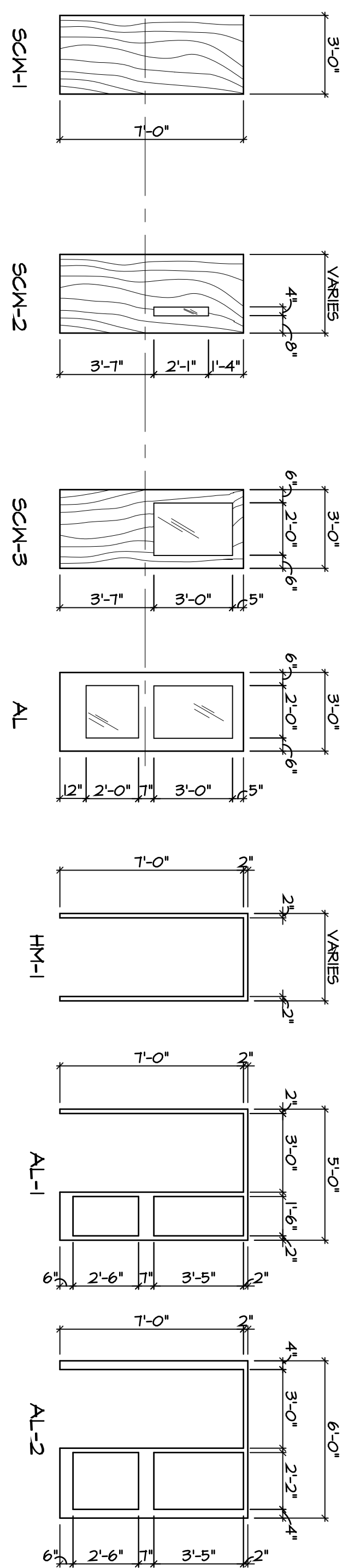
6 THRESHOLD DETAIL  
SCALE: 3/4" = 1'-0"



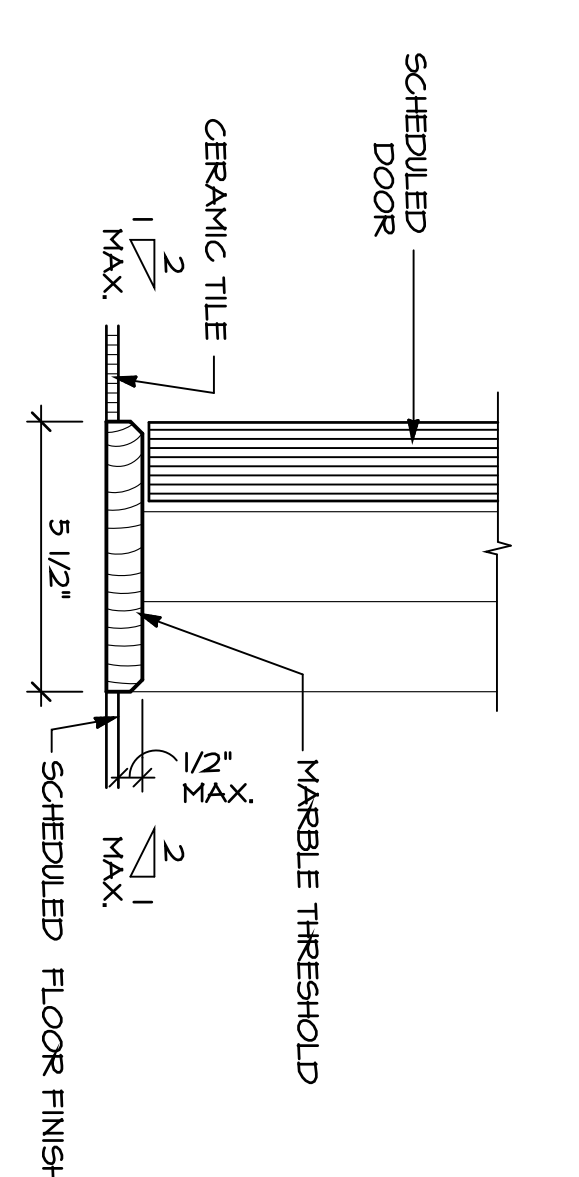
5 JAMB DETAIL  
SCALE: 1 1/2" = 1'-0"



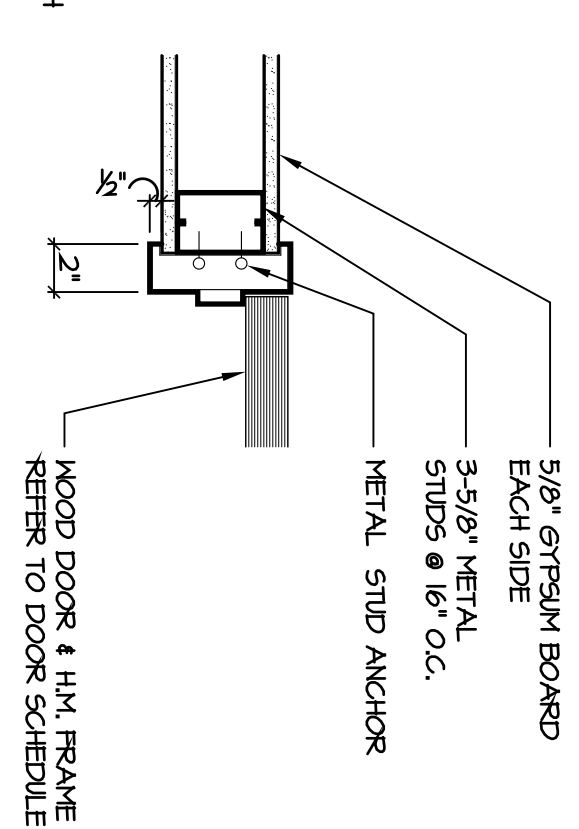
4 HEAD / SILL DETAIL  
SCALE: 1 1/2" = 1'-0"



DOOR & FRAME ELEVATIONS  
SCALE: 1/4" = 1'-0"



2 JAMB DETAIL  
SCALE: 1 1/2" = 1'-0"



1 HEAD DETAIL  
SCALE: 1 1/2" = 1'-0"

**PROGRESS**  
NOT FOR CONSTRUCTION  
October 16, 2009

REVISIONS		
NO.	DATE	DESCRIPTION

**DOOR SCHEDULE & DETAILS**

PROJECT NUMBER 28141  
ADDITIONS AND RENOVATIONS  
**CIGNA UNIVERSITY**  
1350 HALL BOULEVARD  
BLOOMFIELD, CONNECTICUT

281 Farmington Avenue  
Farmington, CT 06032

**FRIAR ASSOCIATES INC.**

SHEET NO. **A8.1**

Printed on Recycled Paper

DATE: 10-16-09  
DRAWN BY: XXX  
SCALE: XXX  
REVIEWED BY: XXX  
PROJECT NO. 28141  
XXX