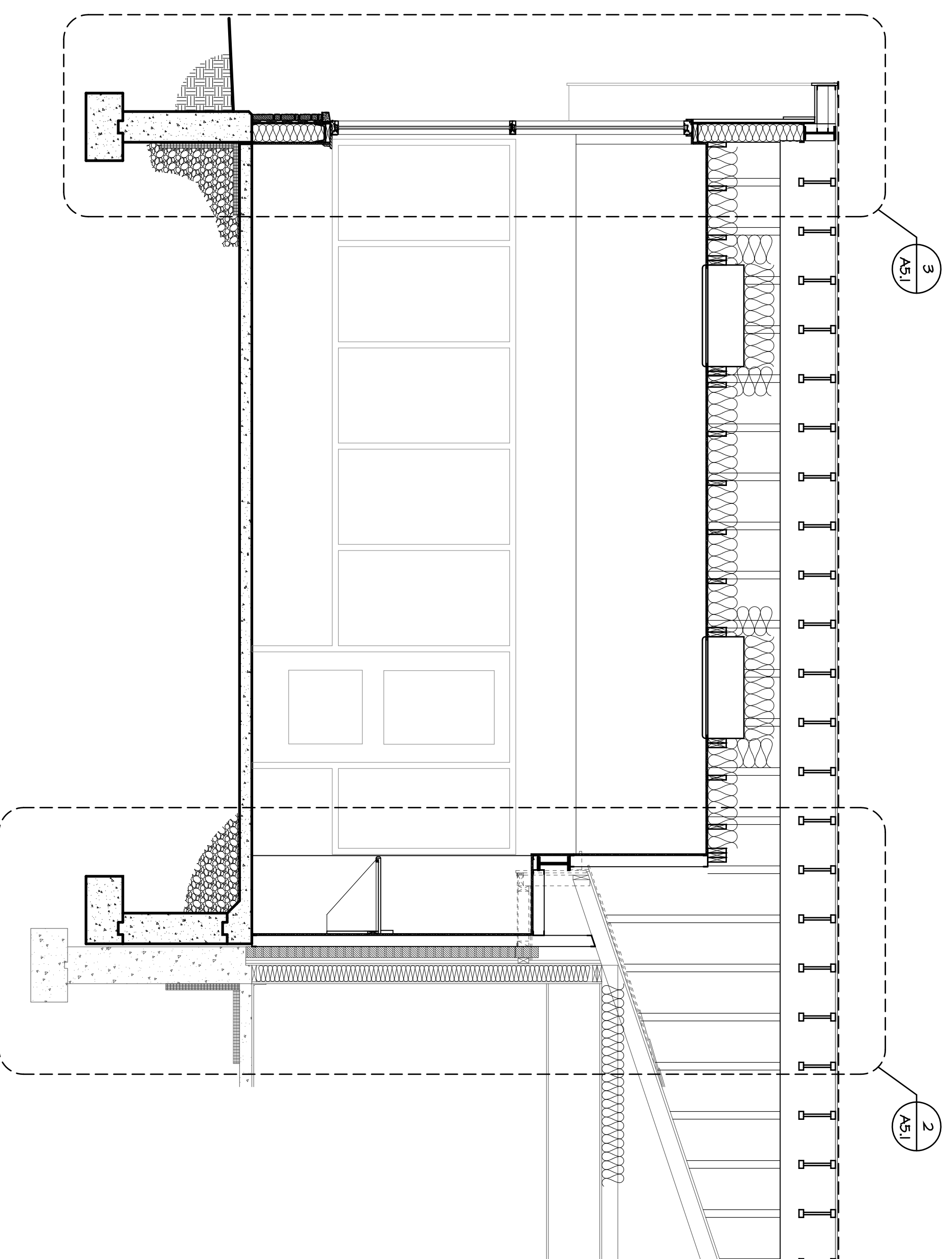
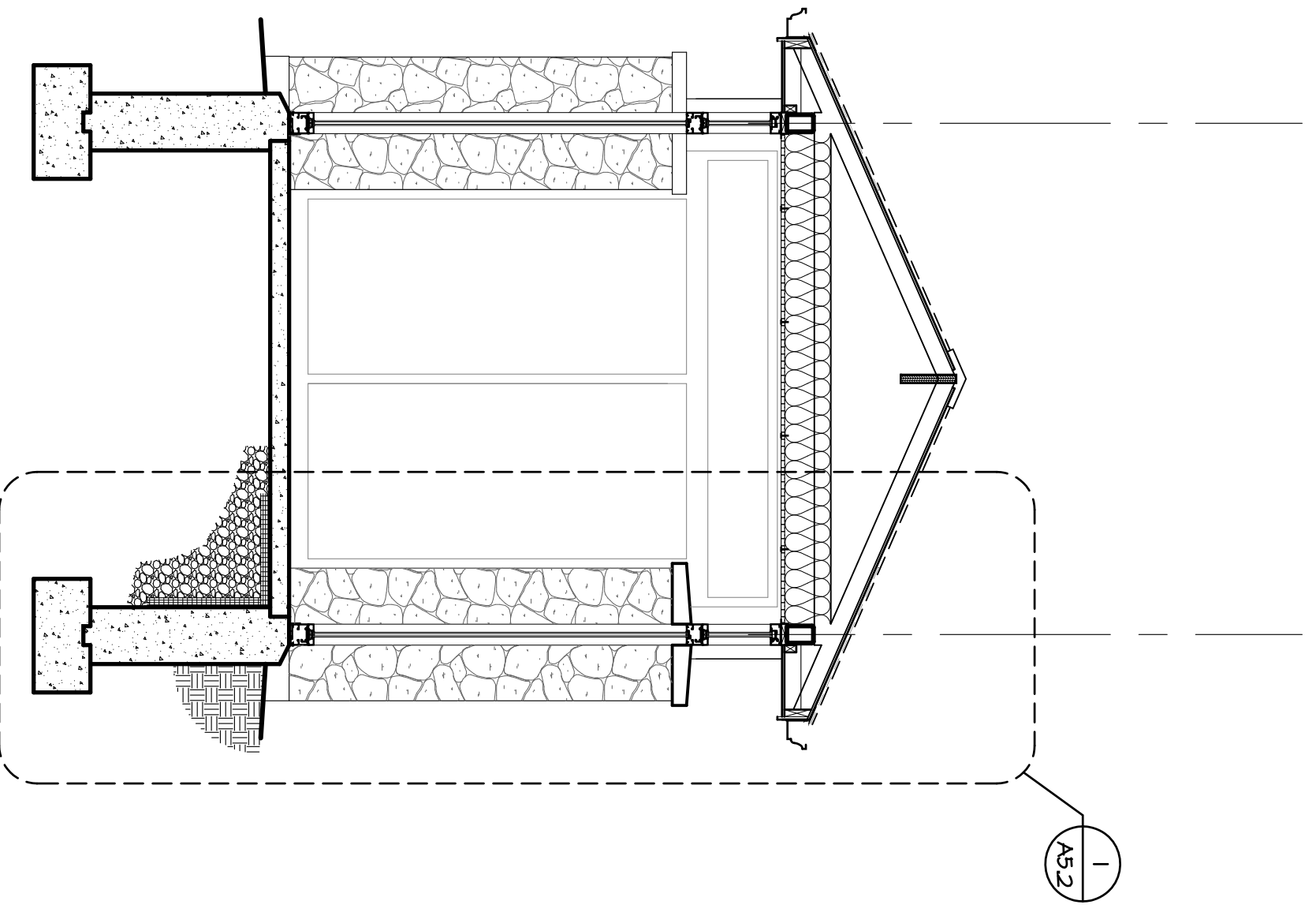


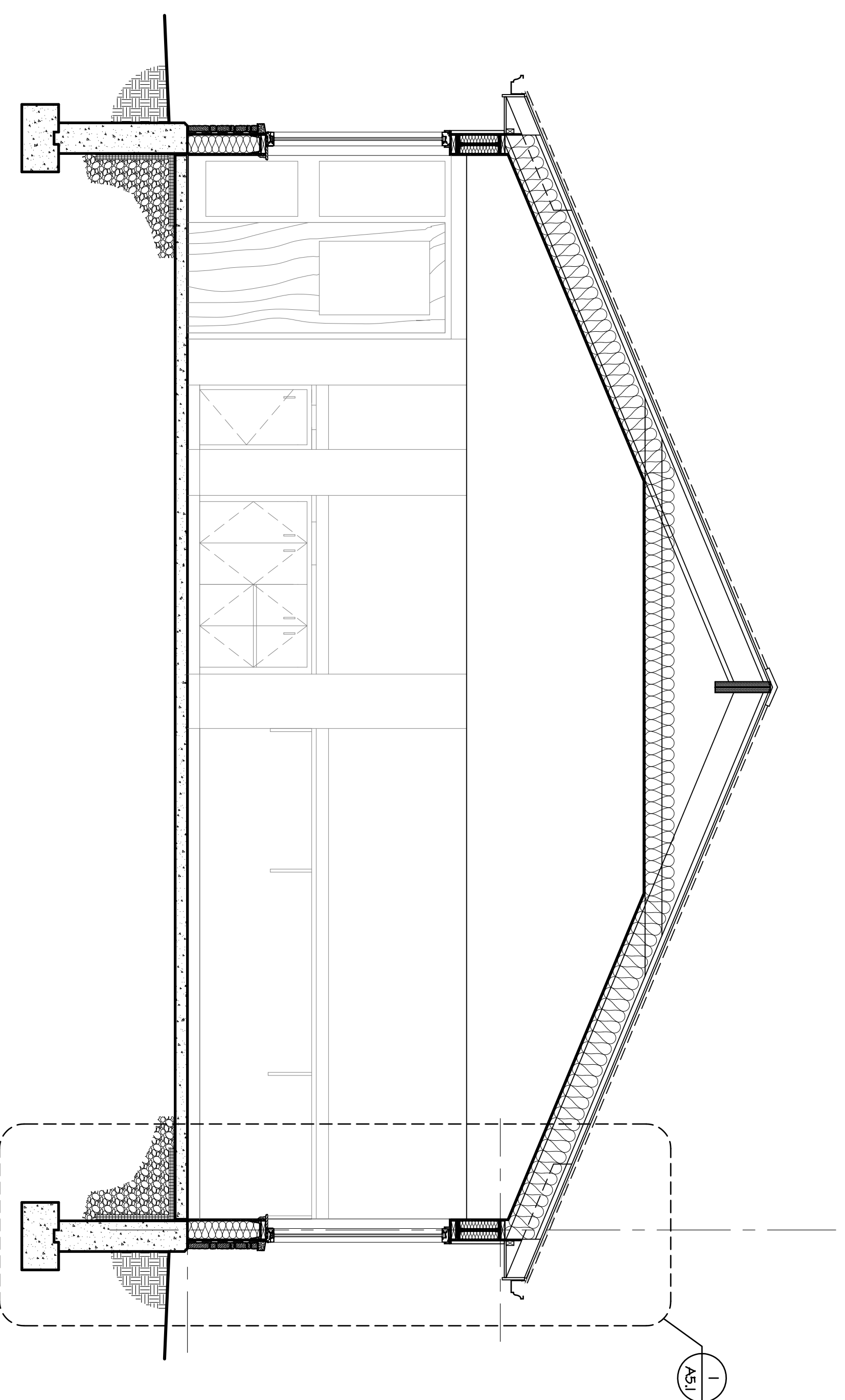
4 BUILDING SECTION
SCALE 3/8"=1'-0"



2 BUILDING SECTION
SCALE 3/8"=1'-0"



3 BUILDING SECTION
SCALE 3/8"=1'-0"



1 BUILDING SECTION
SCALE 3/8"=1'-0"

PROGRESS

NOT FOR CONSTRUCTION

October 16, 2009

Printed on Recycled Paper

DATE: 10-16-09
DRAWN BY: XXX
SCALE: XXX
REVIEWED BY: XXX
PROJECT NO. 28141
XXX

REVISIONS		
NO.	DATE	DESCRIPTION

BUILDING SECTIONS

PROJECT NUMBER 28141
ADDITIONS AND RENOVATIONS
CIGNA UNIVERSITY
1350 HALL BOULEVARD
BLOOMFIELD, CONNECTICUT



281 Farmington Avenue
Farmington, CT 06032

SHEET NO.

A4.1