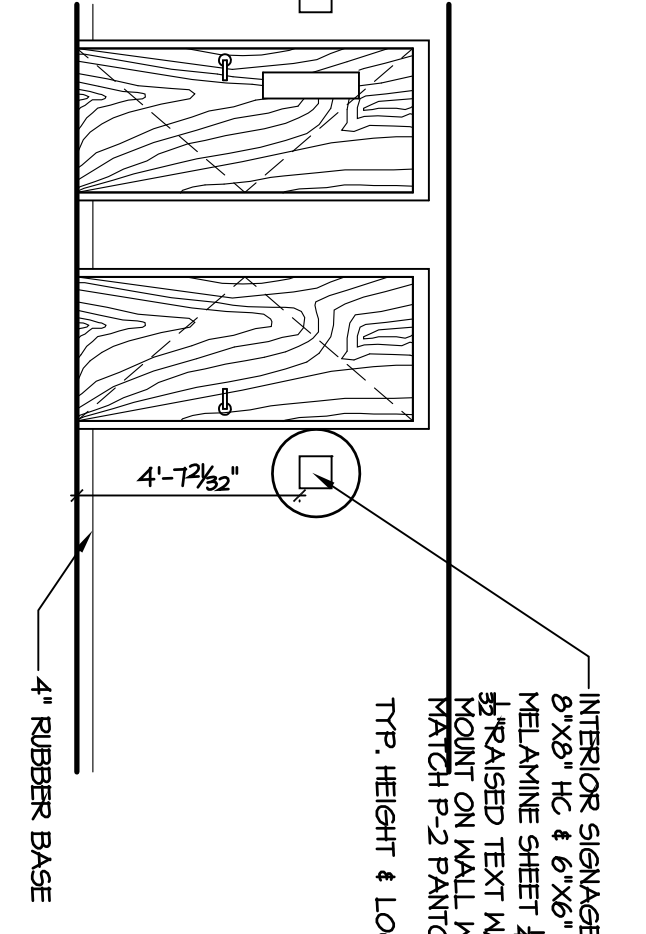
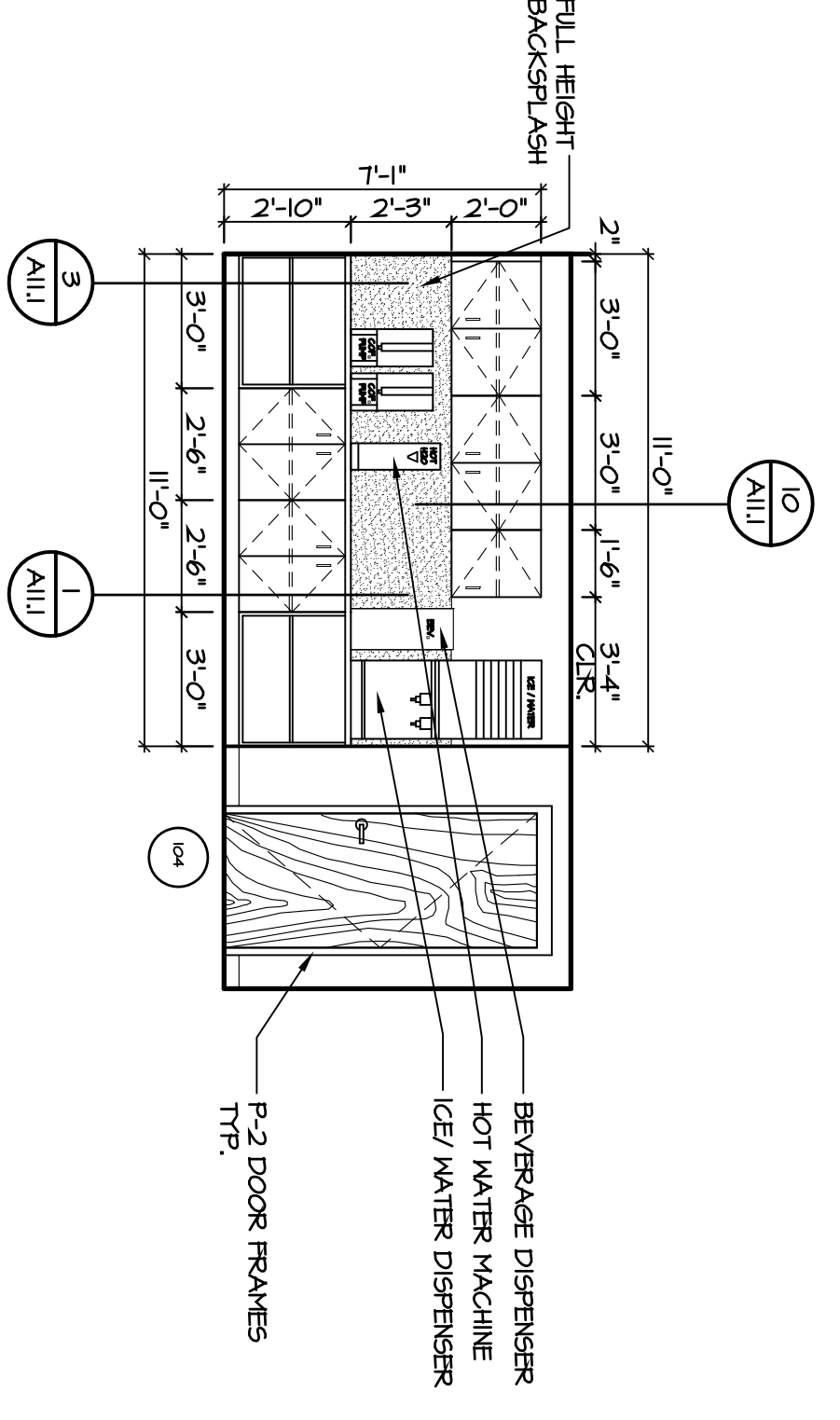
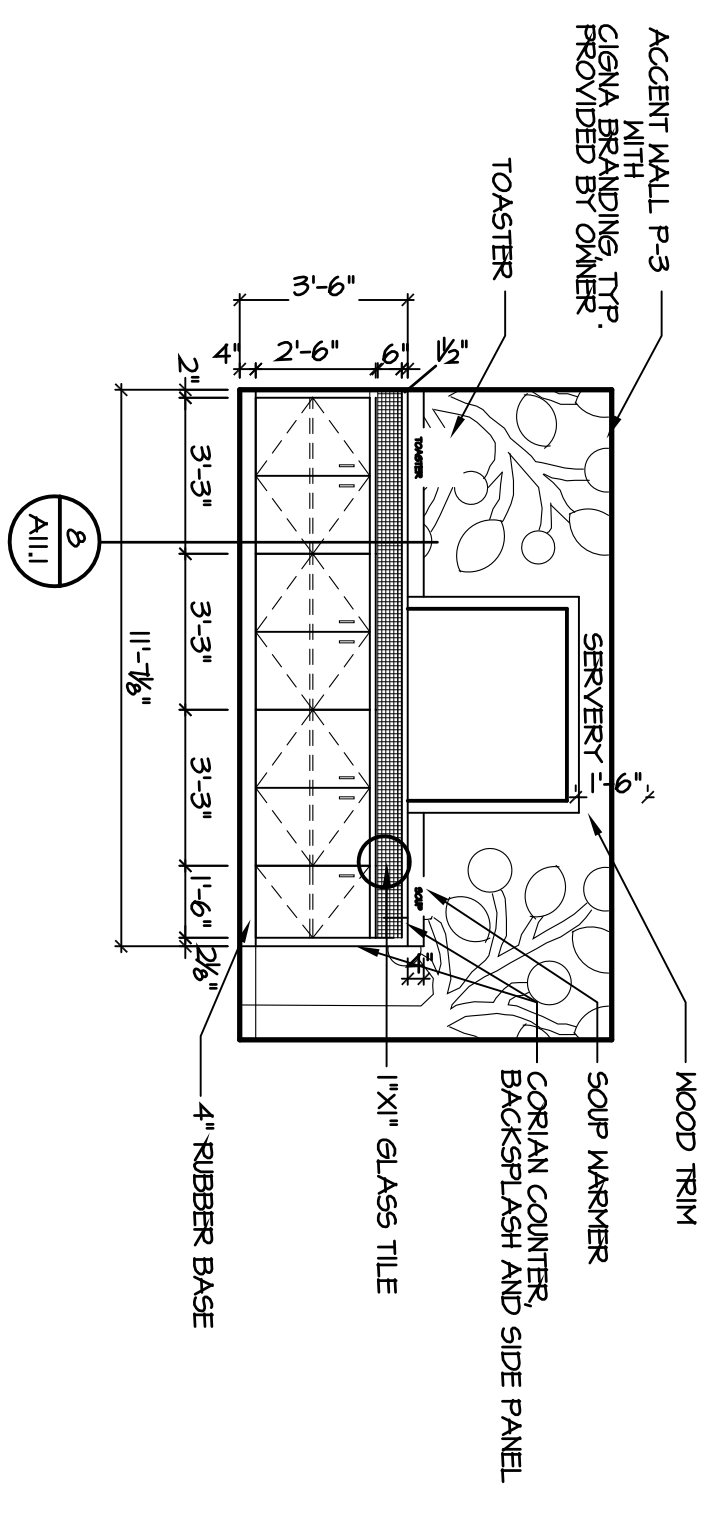


1 KITCHEN  
SCALE: 1/4"=1'-0"

2 KITCHEN  
SCALE: 1/4"=1'-0"

3 KITCHEN  
SCALE: 1/4"=1'-0"

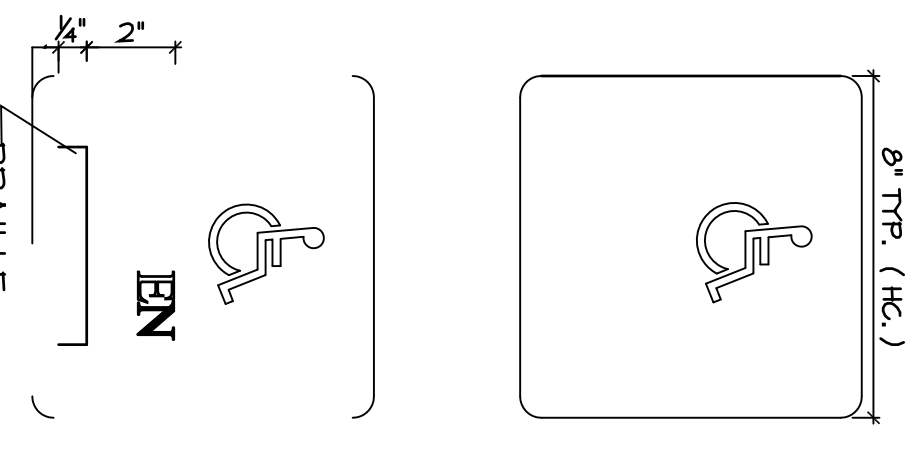
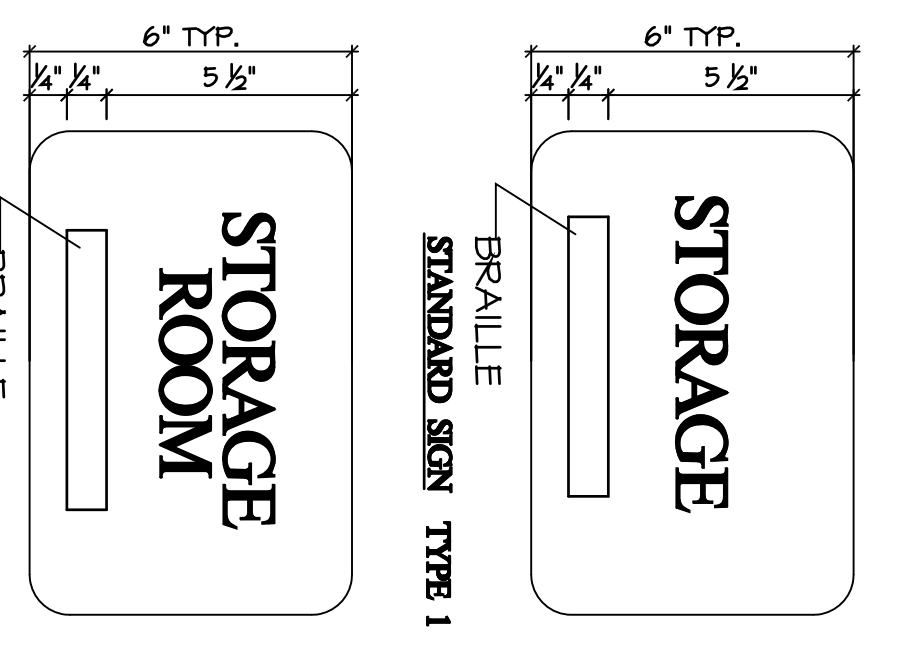
4 TOUCH DOWN AREA  
SCALE: 1/4"=1'-0"



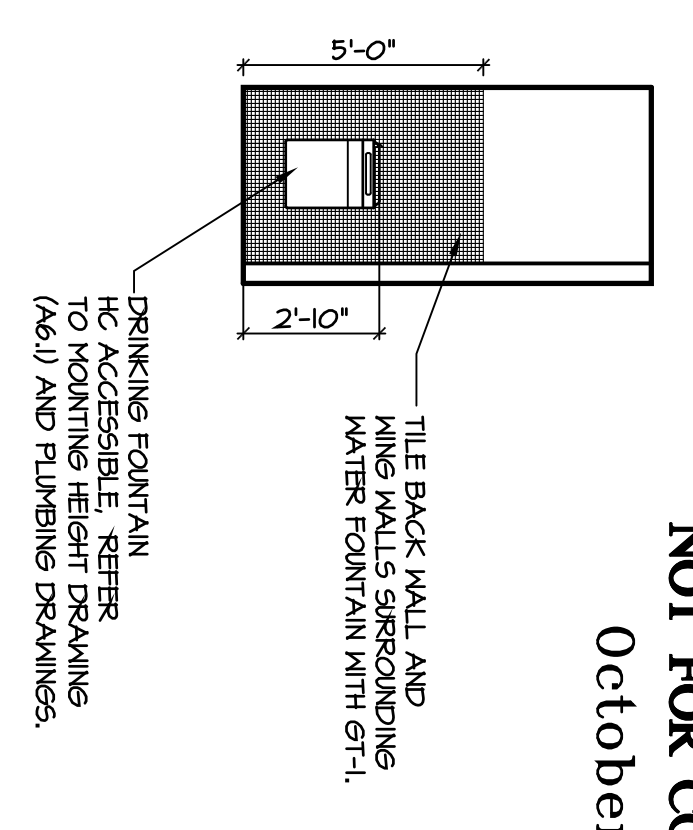
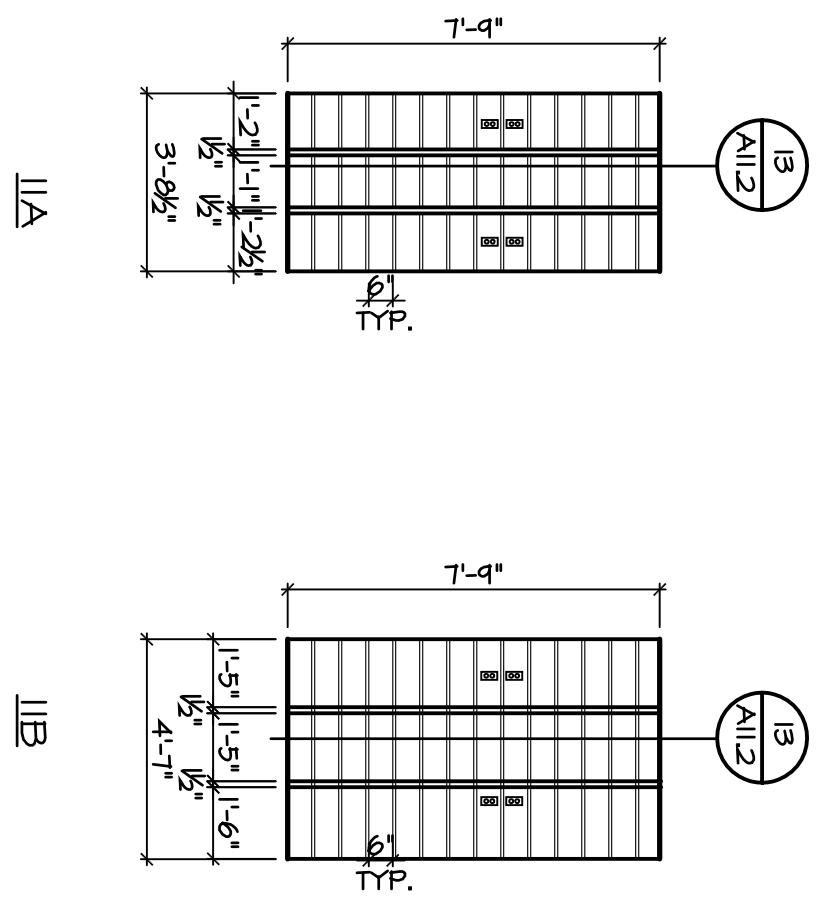
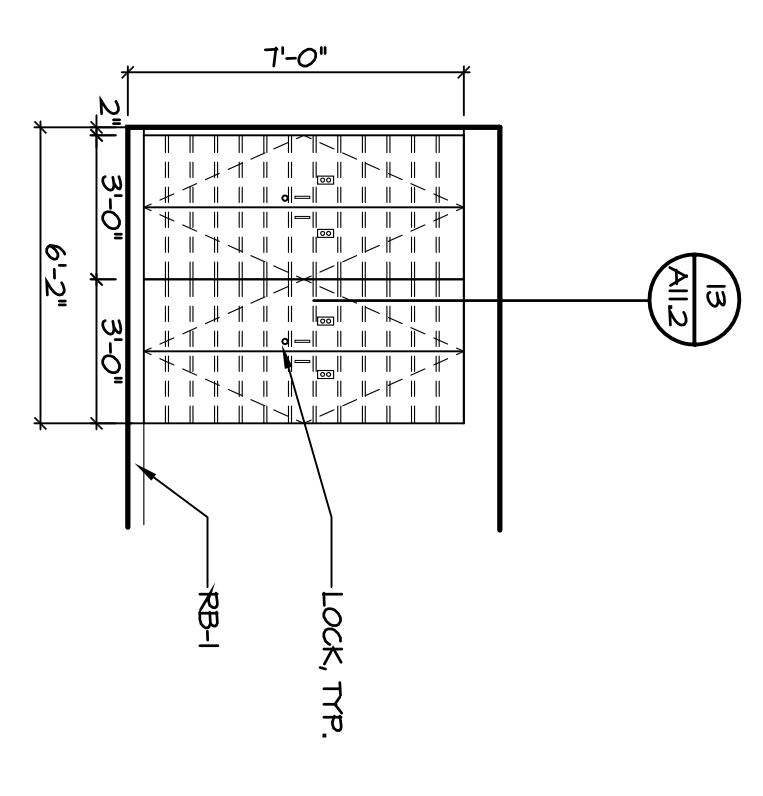
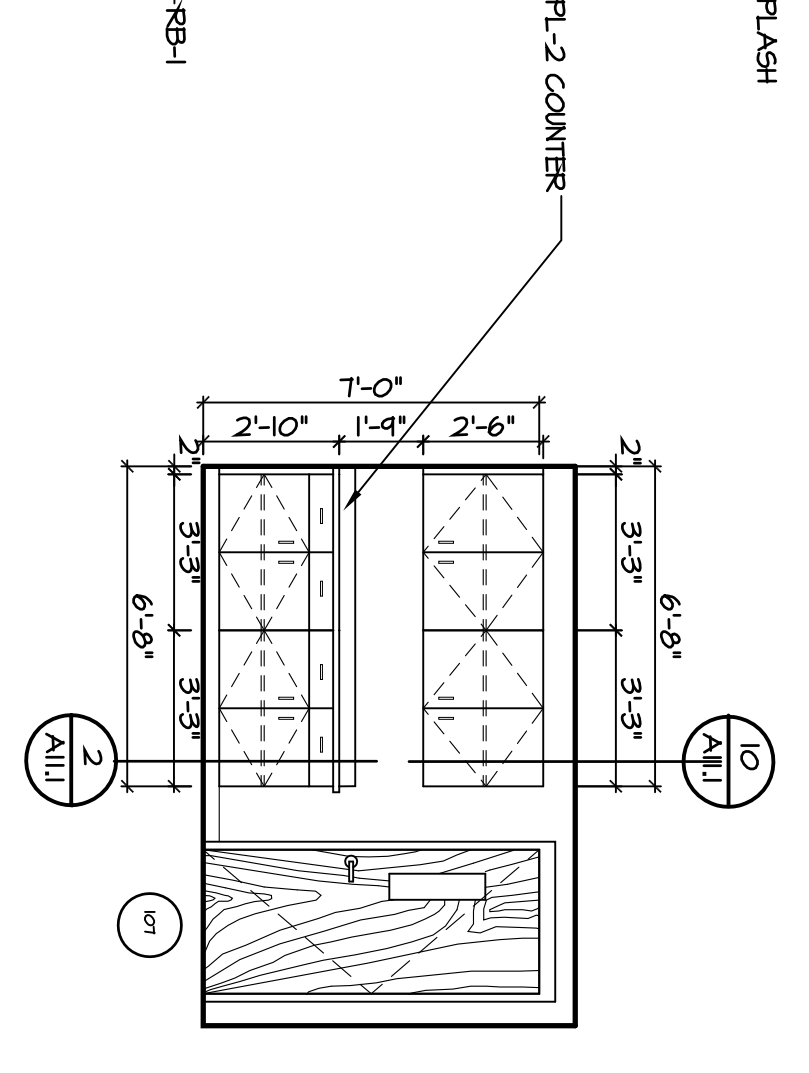
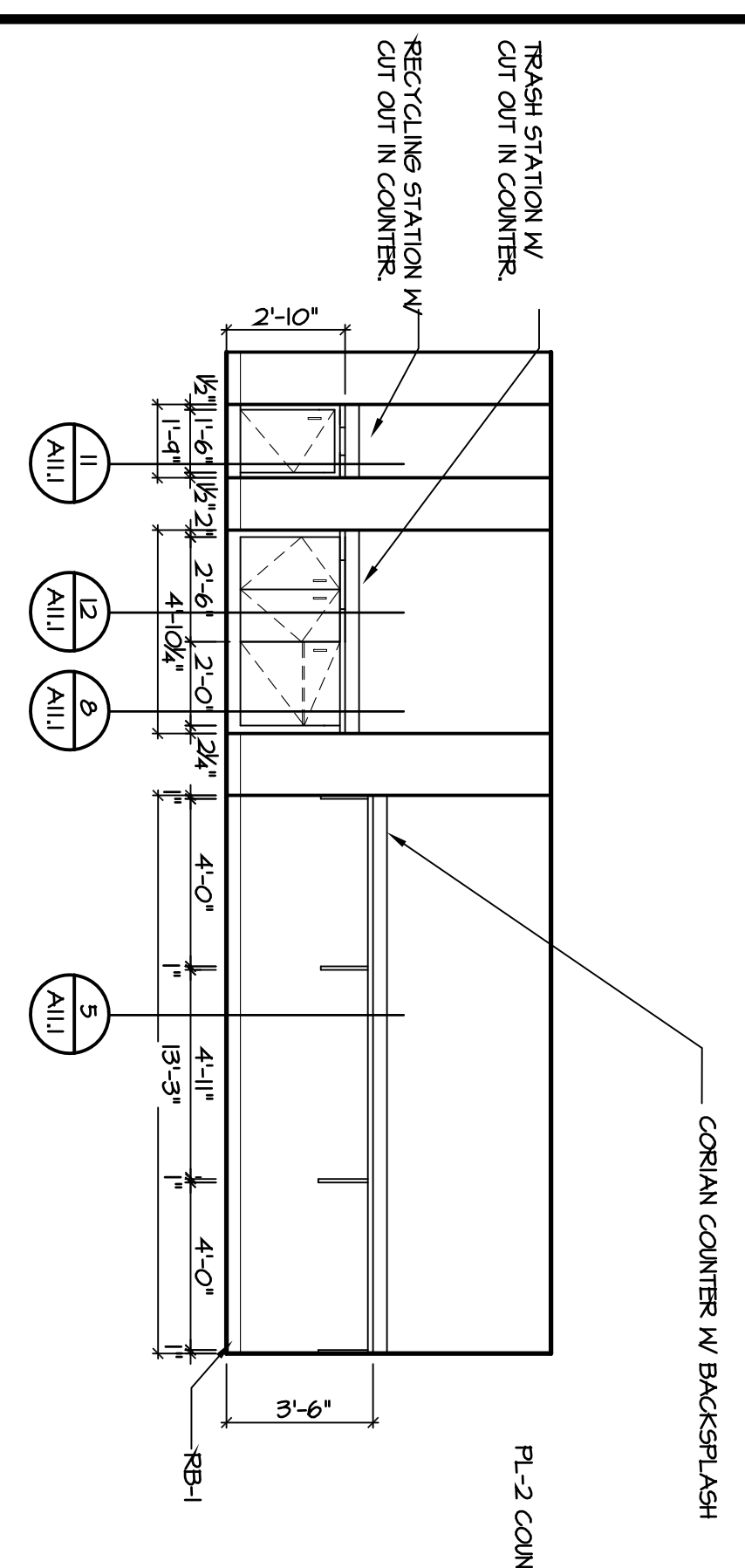
5 SERVING AREA  
SCALE: 1/4"=1'-0"

6 COFFEE AREA  
SCALE: 1/4"=1'-0"

7 CORRIDOR  
SCALE: 1/4"=1'-0"



TWO LINE SIGN TYPE 2  
TYPE 3  
HC SIGN W/ S  
TYPE 3



8 LUNCH ROOM  
SCALE: 1/4"=1'-0"

9 STORAGE/WORK ROOM  
SCALE: 1/4"=1'-0"

10 TRAINING ROOM #  
SCALE: 1/4"=1'-0"

11 COMPUTER STORAGE  
SCALE: 1/4"=1'-0"

12 CORRIDOR #11B  
SCALE: 1/4"=1'-0"

**PROGRESS**  
NOT FOR CONSTRUCTION  
October 16, 2009

DATE:	10-16-09
DRAWN BY:	CMA
SCALE:	1/4"=1'-0"
REVIEWED BY:	JR
PROJECT NO.:	2814
	A10.1 INTELEVATIONS

REVISIONS		
NO.	DATE	DESCRIPTION

PROJECT NUMBER 28141  
ADDITIONS AND RENOVATIONS  
**CIGNA UNIVERSITY**  
1350 HALL BOULEVARD  
BLOOMFIELD, CONNECTICUT

**INTERIOR ELEVATIONS**

281 Farmington Avenue  
Farmington, CT 06032

**FRIAR ASSOCIATES INC.**

**SHEET NO.**

**A10.1**

Plotted on Recycled Paper