

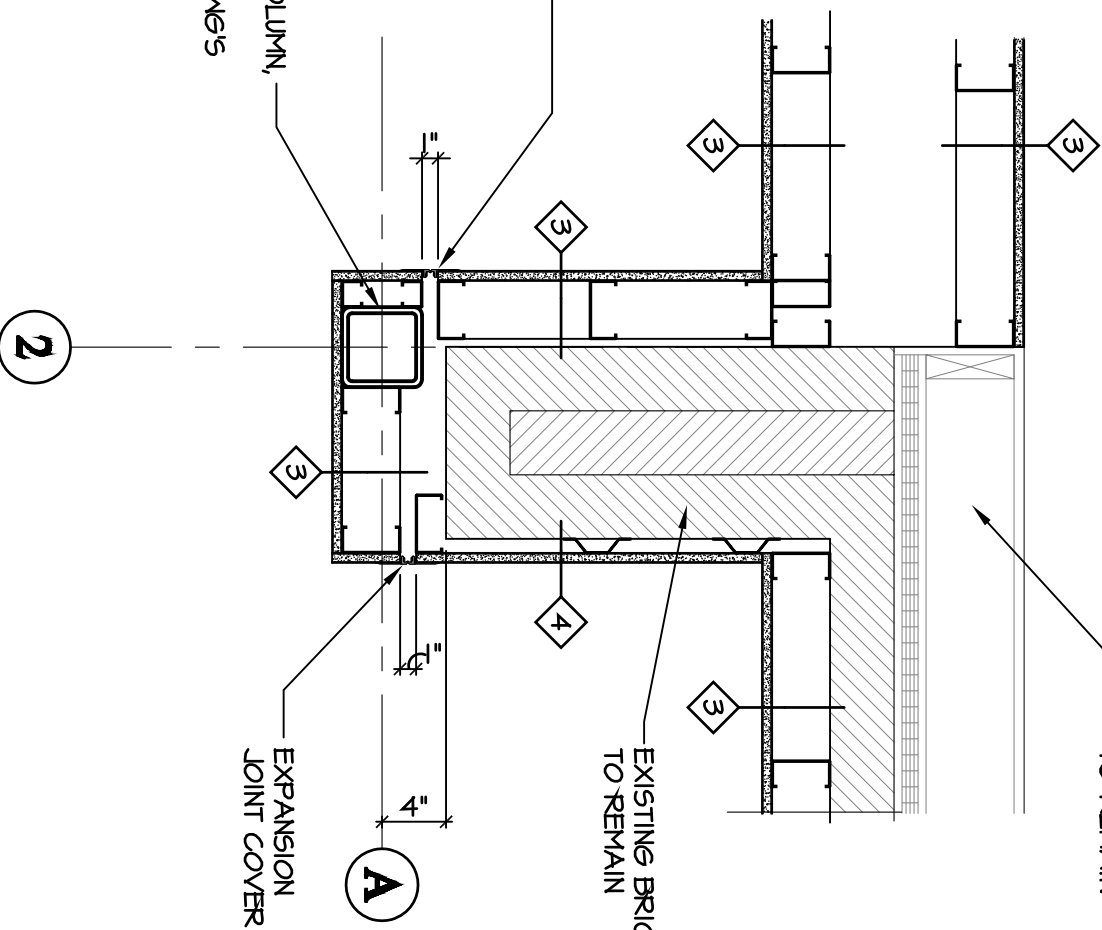
EXISTING WALL
CONSTRUCTION
TO REMAIN

EXISTING BRICK
PIER
TO REMAIN

EXPANSION
JOINT COVER

EXPANSION
JOINT COVER

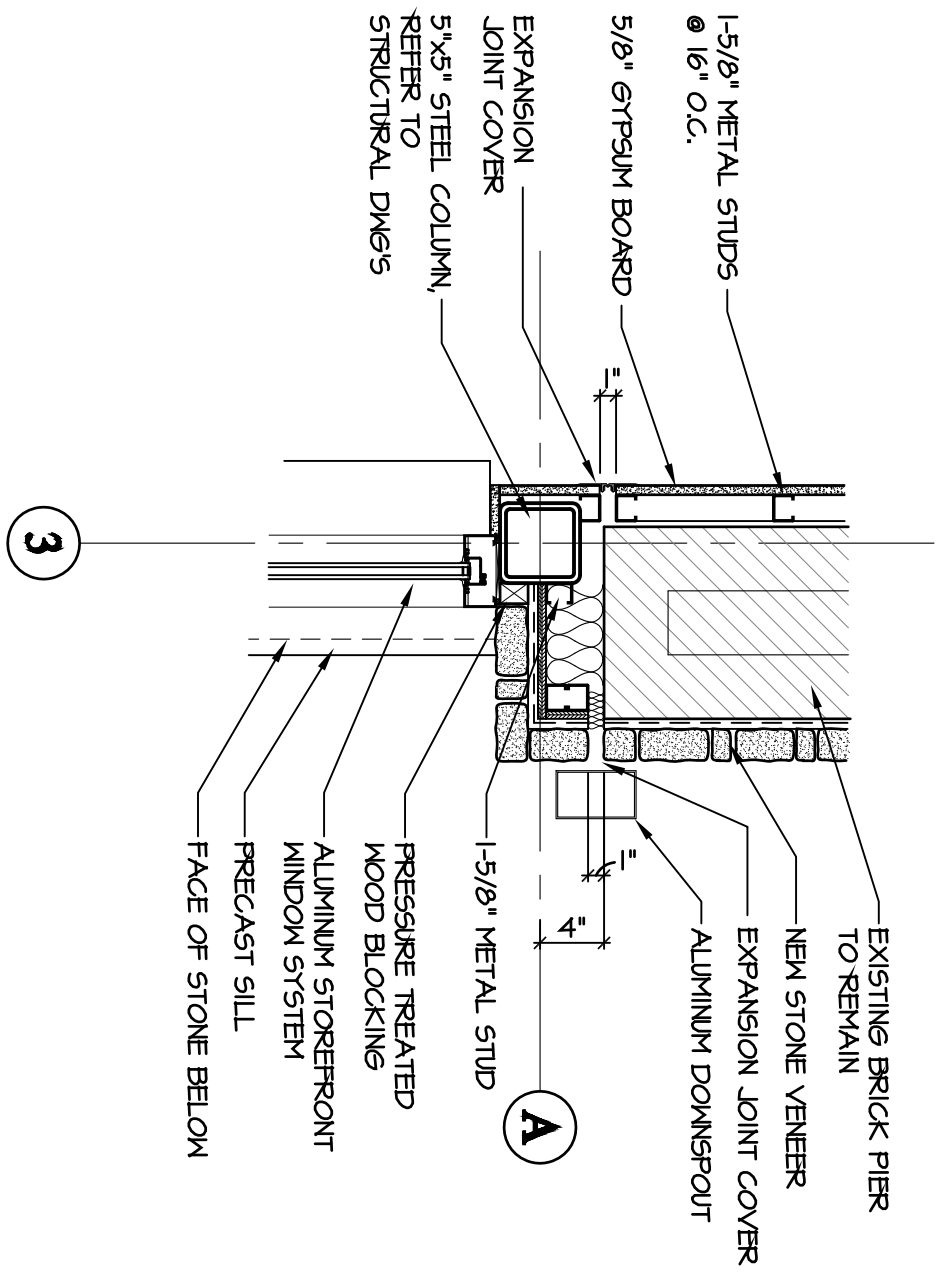
5"X5" STEEL COLUMN,
REFER TO
STRUCTURAL DWG'S



PLAN DETAIL

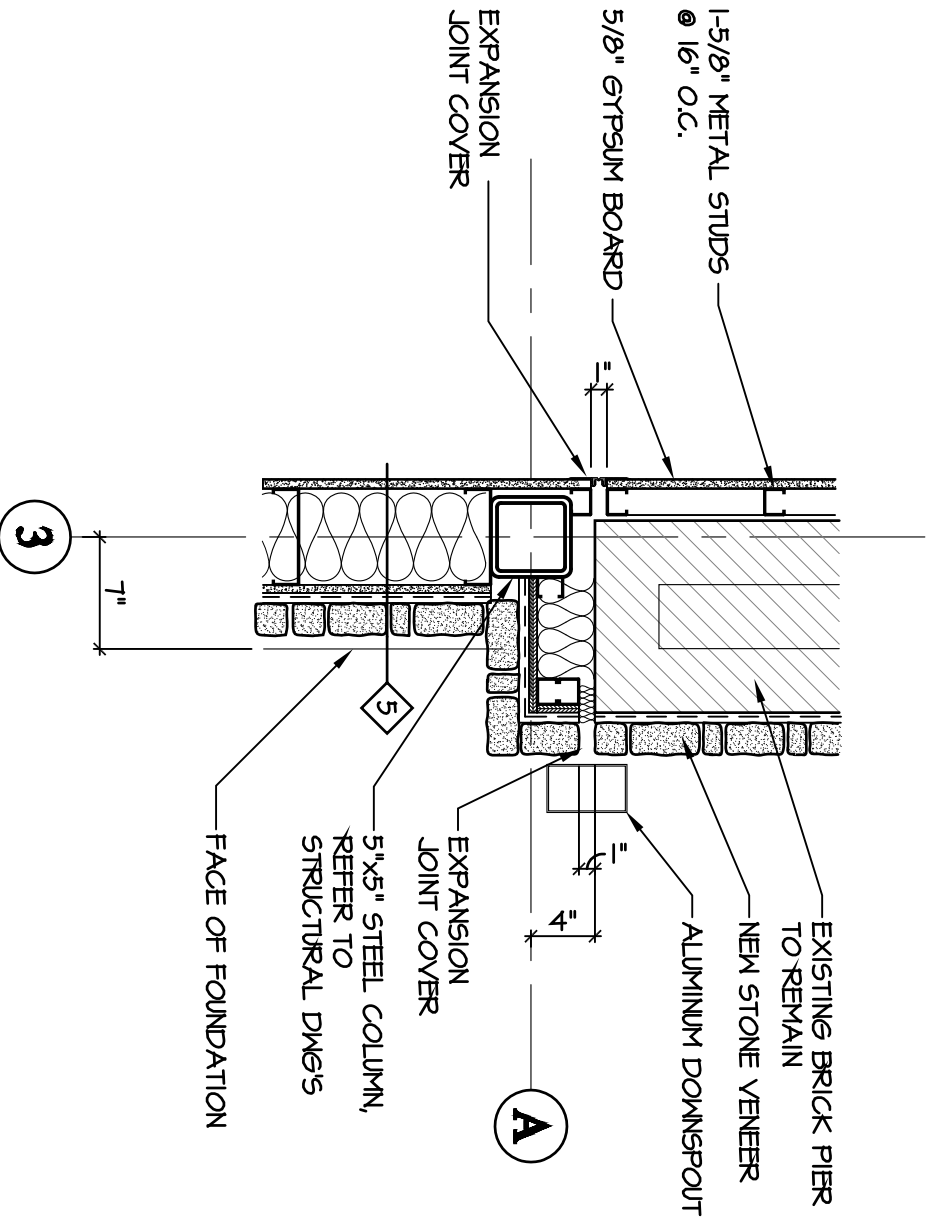
2

SCALE: 1"=1'-0"



PLAN DETAIL - HIGH

SCALE: 1"=1'-0"



PLAN DETAIL - LOW

5

SCALE: 1"=1'-0"