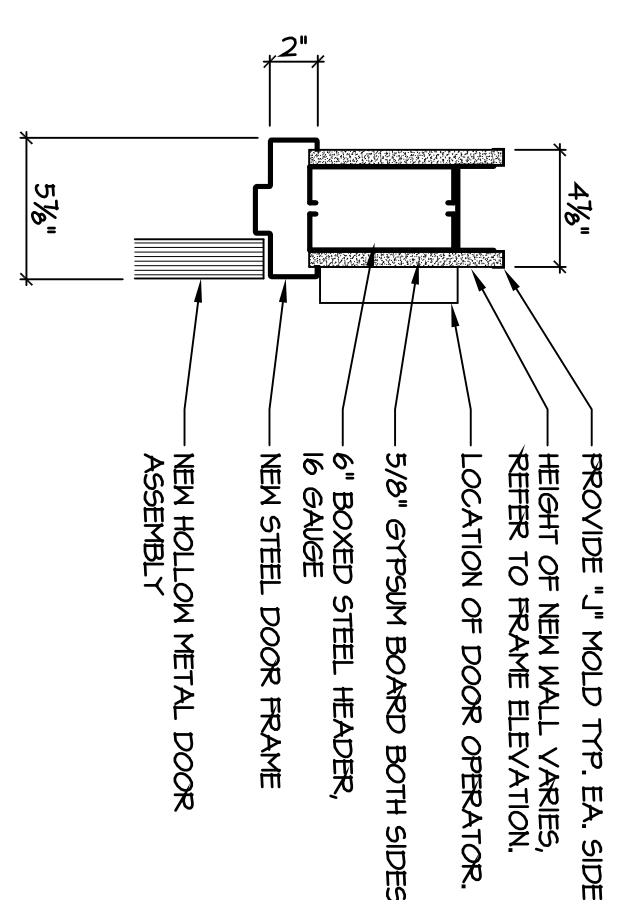


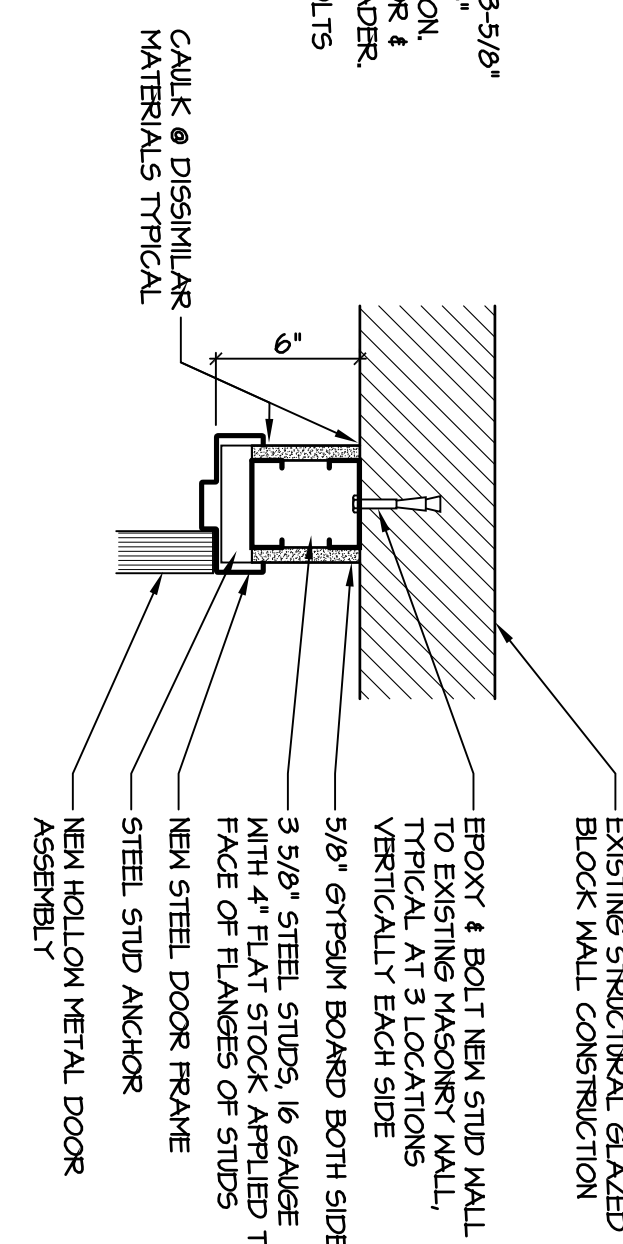
DOOR SCHEDULE

CD#	DESCRIPTION OF WORK	DOOR	FRAME	SIZE	TYPE	HEAD DETAIL	JAMB DETAIL	FIRE RATING (DOOR & FRAME)	THRESHOLD DETAIL	HARDWARE - SEE SPECIFICATIONS		REMARKS
										FIRE CODE	ACCESSIBILITY	
CD1	EXISTING DOOR & FRAME TO REMAIN DOOR & FRAME TO BE REMOVED											
CD2	EXISTING FRAME, NEW DOOR NEW FRAME, REUSE DOOR	●	●	3'-6"	6'-8"	M-1	HM-1	IA/1	243/ALL	●	●	
CD3	NEW DOOR & FRAME DOUBLE DOOR	○	○	3'-0"	7'-0"	-	-	IA/1	243/ALL	○	○	

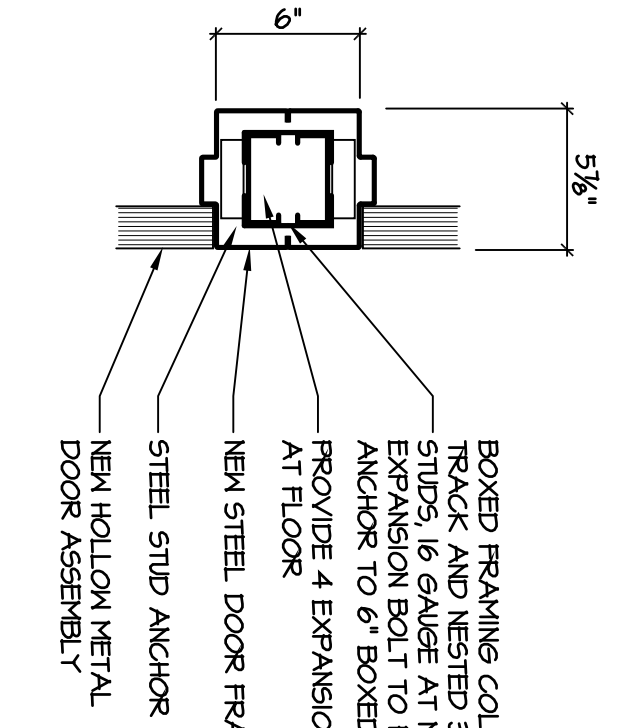
1 HEAD DETAIL
SCALE: 1/2"=1'-0"



2 JAMB DETAIL
SCALE: 1/2"=1'-0"



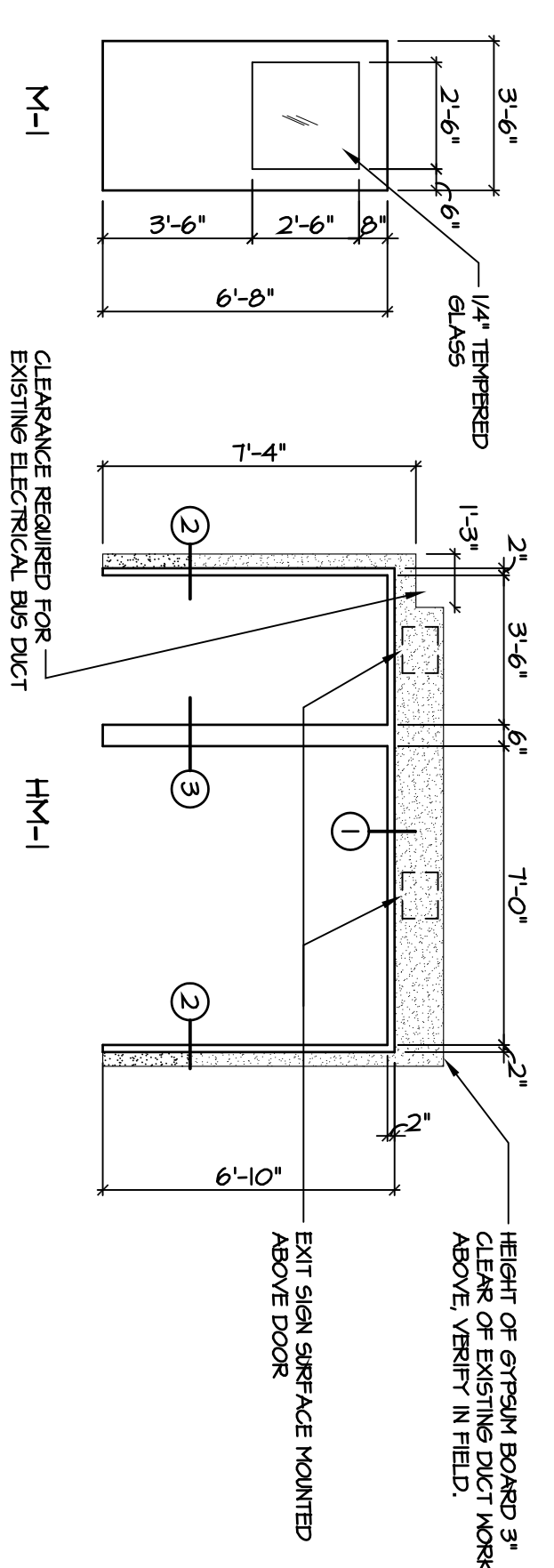
3 JAMB DETAIL
SCALE: 1/2"=1'-0"



PROVIDE MILLION BASE ANCHORS AT FLOOR & STEEL STUD ANCHORS TO STUD & HEAVY DUTY CLIP ANGLES AT HEADER, TYPICAL
PROVIDE SHOP DRAWING SPECIFIC FOR SIZE DIA. LENGTH OF EXPANSION BOLT & EPOXY TYP FOR APPROVAL

PROVIDE JAMB BASE ANCHORS & STEEL STUD ANCHORS TYPICAL
PROVIDE SHOP DRAWING SPECIFIC FOR SIZE DIA. LENGTH OF EXPANSION BOLT & EPOXY TYP FOR APPROVAL

EPOXY & EXPANSION BOLT HEADER TO WALL ANCHORS TYPICAL AT 2 LOCATIONS PER SIDE
PROVIDE HEAVY DUTY CLIP ANGLE ANCHORS TO ALL JAMB FRAMING AT HEADER TYPICAL



DOOR & FRAME ELEVATIONS
SCALE: 1/4"=1'-0"

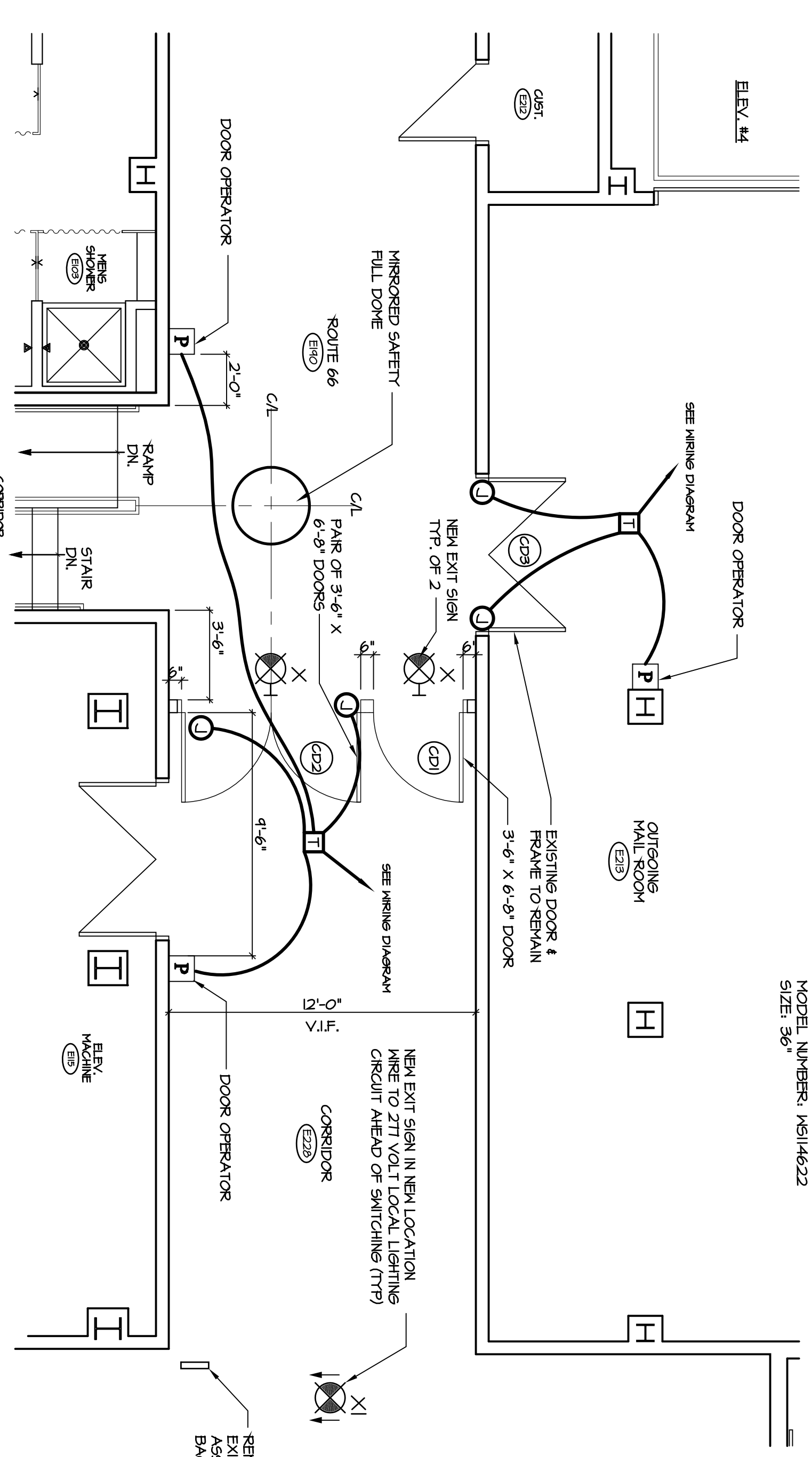
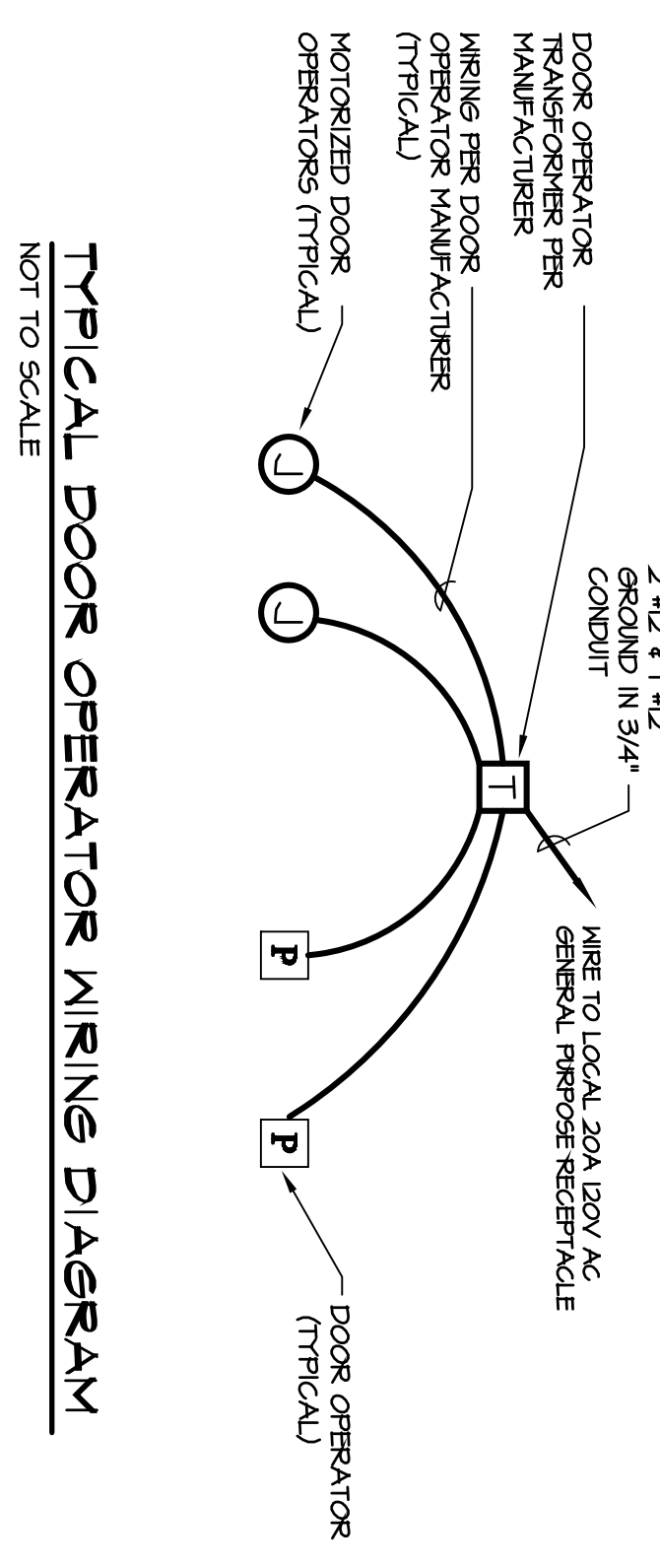
NOTES:
PAINTED HOLLOW METAL DOORS TO BE BASED ON STEELCRAFT B-16 SERIES STEEL STIFFENED DOORS.
PAINTED HOLLOW METAL FRAMES TO BE BASED ON STEELCRAFT 16 GAUGE HEAVY COMMERCIAL & INSTITUTIONAL.
PANT COLOR TO BE SELECTED FROM PAINT MANUFACTURERS FULL LINE OF COLORS. PAINT DOOR OPERATOR AND SWANNE COLOR TO BE DETERMINED.

PRODUCT SPECIFICATIONS

360° FULL DOOR SAFETY MIRROR
360° FULL DOOR SAFETY MIRROR
MODEL NUMBER: MS14422
SIZE: 36"

DOOR HARDWARE NOTES:

SURFACE MOUNTED EXIT DEVICE @ CD1, CD2 & DOOR CD3.
DOOR OPERATORS:
CONTRACTOR TO PROVIDE ELECTRIC TO OPERATOR & POWER SUPPLY.
INSTALLATION OF ALL WIRING AND PRESS WALL SWITCHES ALL WIRING & HOOK UPS TO BE ALARM & SECURITY AS REQUIRED. ALL PAINTING PAINTING & FOR RAIN MARK AS REQUIRED. ALL WIRING PERIOD ELECTRICAL PROVIDER TO OPERATOR AND NEW TO BE INSTALLED PER ELECTRICAL PROVIDER TO OPERATOR AND FROM PANIC HARDWARE POWER SUPPLY TO PANIC BAR. ALL WIRING FROM PANIC HARDWARE POWER SUPPLY TO OPERATOR.
DOOR OPERATORS TO BE BASED ON HORTON AUTOMATICS HP-5415 SERIES 4000LE HEAVY DUTY LOW ENERGY ELECTRIC OPERATORS SURFACE APPLIED MODEL 400LE WITH CONNECTING ARMS.
DOOR #CD2 NOTES:
DOOR OPERATORS LOCATED IN OUTGOING HALL ROOM TO ACTIVATE BOTH LEAVES OF DOOR TO REMAIN AS REQUIRED FOR OPERATION. RH LEAF TO BE FUNCTIONAL FROM ROUTE 66 END SIDE.
REMOVE EXISTING FLUSH BOLTS & DOOR CD3 PROVIDE COVER PLATES TO MATCH NEW DOOR CLOSERS & DOOR OPERATOR.



DATE: 8/20/04
DRAWN BY: JR
SCALE: AS NOTED
REVIEWED BY: PH
PROJECT NO. 29095
A.I. FLOOR PLAN

REVISIONS

NO.	DATE	DESCRIPTION

FLOOR PLAN, SCHEDULE & DETAILS

ARCHITECT'S PROJECT NO. 29095
CONTROL DOORS ADDITION
CIGNA
LOWER LEVEL
900 COTTAGE GROVE ROAD
BLOOMFIELD, CT

FRIAR ASSOCIATES INC.
281 Farmington Avenue
Farmington, CT 06032

SHEET NO. **A1.1**

